

SUPPLEMENT

TO THE

NEW ZEALAND GAZETTE

OF

THURSDAY, JULY 21, 1904.

Published by Authority.

WELLINGTON, THURSDAY, JULY 21, 1904.

CONTENTS.

	Page
Complete Specifications accepted	1799
Provisional Specifications accepted	1803
Letters Patent sealed	1803
Letters Patent on which Fees have been paid ..	1803
Subsequent Proprietors of Letters Patent registered ..	1804
Applications for Letters Patent abandoned	1804
Applications for Letters Patent void	1804
Applications for Letters Patent lapsed	1804
Letters Patent void	1804
Applications for Registration of Trade Marks ..	1804
Trade Marks registered	1807
Trade Mark Renewal Fees paid	1807
Subsequent Proprietors of Trade Marks registered ..	1807
Illustrations of Inventions follow	1807
Quarterly List of Inventors*	1808
Quarterly List of Inventions*	1818
Quarterly List of Trade Marks Applicants* ..	1829
Quarterly List of Designs Applicants*	1831

* Alphabetical lists for the preceding quarter of the year 1904 appear in *Gazette* No. 31, of the 14th April, 1904.

Notice of Acceptance of Complete Specifications.

Patent Office,
Wellington, 20th July, 1904.

COMPLETE specifications relating to the undermentioned applications for Letters Patent have been accepted, and are open to public inspection at this office. Any person may, at any time within two months from the date of this *Gazette*, give me notice in writing of opposition to the grant of any such patent. Such notice must set forth the particular grounds of objection, and be in duplicate. A fee of 10s. is payable thereon.

No. 16897.—1st September, 1903.—HUGH DUFFIN, of Auckland, New Zealand, Engineer. An improved hose or pipe coupling.

Extract from Specification.—The coupling is composed of two metal castings, to which the respective ends of the hosing are firmly attached. One of these castings is formed with a socket in its end, provided with projecting teeth or stops on its inner periphery. The other casting is provided with a flange, and surrounding it is a collar that is adapted to enter the socket on the other casting. This collar is provided with teeth or stops on its outer periphery, which are

adapted to engage with those in the socket of the other casting when the collar is inserted into the socket and given a slight revolving movement, and thus connect both castings together.

[NOTE.—The above extract from the specification is inserted in place of the claims.]
(Specification, 6s. 3d.; drawing, 1s.)

No. 16938.—10th September, 1903.—JAMES HOLMES MILLAR, of Chatton, Gore, Southland, New Zealand, Farmer. An improved device for sowing turnip-seed or other such seed.*

Extract from Specification.—According to this invention, a cylinder having perforations is fixed upon a shaft which is mounted in bearings beneath a hopper containing the seed to be sown. A slide interposed between the hopper and the cylinder is adjusted to uncover or cover the holes in the cylinder as desired to sow more or less seed. The cylinder may have one end closed up or it may have a partition at its centre and both ends open. The holes in one end of the cylinder are then made larger than the holes in the other end, and the hopper being correspondingly partitioned seeds of different sizes may be sown.

[NOTE.—The above extract from the specification is inserted in place of the claims.]
(Specification, 3s.; drawing, 1s.)

No. 17074.—7th October, 1903.—PER AXEL MAURITZ ARNBERG, of Riddaregatan, 70, Stockholm, Sweden, Director. Improvements in liners for centrifugal separators.

Extract from Specification.—The present invention consists principally in providing the outlet-openings of the different distributing pipes or tubes in different levels, for instance, in such manner that some of the said pipes or tubes are provided with outlet-openings only at their lower parts, and the other pipes or tubes with outlet-openings only at their upper parts. A suitable way of carrying out my invention consists in dividing the distributing pipes or tubes, or the central inlet-pipe, by means of division-walls in two or more chambers, the outlet-openings of which are situated at different levels, so that the milk will flow on different ways to the outlet-openings situated in different levels. If in this arrangement the milk, for instance, is let into the said distributing-pipes from below, the milk entering in a chamber having outlet-openings only in its upper part will be forced to flow up to the said upper part,

whereby thus some of the milk entering a distributing-pipe will be prevented from being thrown out at the lower part of the same, which will result in a more uniform distribution of the milk in the liner than what has heretofore been the case.

[NOTE.—The above extract from the specification is inserted in place of the claims.]

(Specification, 6s. ; drawing, 1s.)

No. 17574.—25th February, 1904.—EDWARD WATERS, JUN., a member of the firm of Edward Waters and Son, Patent Agents, of 414-418, Collins Street, Melbourne, Victoria, Australia (nominee of the National Typographic Company, a corporation existing under the laws of the State of West Virginia, and having a place of business at Charlestown, West Virginia, United States of America, the assignees of the executors of Ottmar Mergenthaler (deceased) and Emil Lawrenz, of Baltimore, Maryland, United States of America. Improvements in or relating to typographic machines.

Extract from Specification.—This invention relates to mechanism for producing a justified printing surface or form. The machine chiefly employed for this purpose heretofore has been the well-known linotype machine, which produces printing bars or slugs each equivalent to a justified line of type. The linotype bars are formed by assembling lines of matrices and spacers and casting the slugs against said matrices in a mould of the desired length and width. While the linotype machine has been, to a large extent, satisfactory to the printing trade, it has certain features which are open to criticism and which it is the object of the present invention to remedy. The product of the machine which is the subject of the present invention is a line composed of logotypes, each logotype, with one exception in each line, having cast therewith and thereon a justifying-space. There being one word more in each line than there are spaces, it is manifest that a justifying-space may be admitted from one of the logotypes. Advantage is taken of this fact to make the justification of each line absolutely perfect regardless of defects in the ordinary justifying-spaces which may be due to wear or improper adjustment of the justifying-devices. The method pursued to obtain this result is to cast the justifying-spaces on all of the logotypes of the line, save the last one, slightly too thin, or, in any event, not thicker than they should be. After all of the logotypes of the line, save the last one, have been cast, said logotypes are measured and the mould adjusted to cast the last logotype of exactly the length required to fill out the line, any deficiency in the line being supplied by creating an additional or "correcting" space on the inner end of the final word or logotype. By this means all danger of incorrect justification is practically eliminated. The mechanism for performing these operations is, of course, automatic. In the present machine, as in the linotype machine, the matrices circulate automatically from the magazine to the casting mechanism, and from the casting mechanism back to the magazine. In the present machine, however, a much larger number and variety of matrices are utilised, enabling a greater variety of work to be performed, and provision is made for a primary and secondary distribution of the matrices. The first distribution, which is effected by the "font-separator," divides the matrices by fonts, sending the matrices of the different fonts into different channels. The distributor proper then distributes the matrices into the channels of their respective font-magazines. Suitable mechanism operated in conjunction with the keyboard releases the matrices from the magazine and assembles them, a line at a time, the words being separated by thin plates termed "separators." When a line of matrices is completed a "starting-lever" is operated, and the line is automatically transferred from the assembler to the casting mechanism. A suitable justifying mechanism takes account of the number of word-spaces or separators in the line and the length of the line, and the mould is adjusted by said mechanism to cast word-spaces on the logotypes, with the exception of the last logotype upon which a correcting space is cast, if necessary.

[NOTE.—The above extract from the specification is inserted in place of the claims.]

(Specification, £4 4s. ; drawings, £2 4s.)

No. 17826.—25th April, 1904.—THOMAS ALEXANDER NASH, of Lower High Street, Christchurch, Canterbury, New Zealand, Grocer. Improved device for preventing the guttering of candles.

Claims.—(1.) A device for the purpose indicated, consisting of a ferrule having an outwardly projecting rim, a vertical flange, and an internally projecting rim, substantially as specified and illustrated. (2.) A device for the purpose indicated, consisting of a ferrule, having an internally projecting rim at its upper end, as specified and illustrated.

(Specification, 1s. 6d. ; drawing, 1s.)

No. 17845.—15th May, 1903.—THOMAS MERRIFIELD NORTH, of Kingswood Lodge, Ellesmere Road, Altrinotham, Chester, England, Draughtsman. Improvements in printing-machines.

[NOTE.—This is an application under section 106 of the Act, the date given being the official date of the application in Great Britain.]

Extract from Specification.—The present invention relates to improvements in the inking, tripping, and damping mechanism of printing-machines, the improvements in the inking and tripping mechanisms being applicable to any rotary machine using either a typographic printing-surface or a flexible metal plate as a printing-surface, while the improvements in the damping mechanism are applicable only to machines printing on the lithographic plan from any suitable surface, metallic, stone, &c. It consists in the combination described in connection with the drawings, and more specifically pointed out in the claim.

[NOTE.—The above extract from the specification is inserted in place of the claims.]

(Specification, £1 ; drawings, 11s.)

No. 17979.—31st May, 1904.—EDWIN GEORGE MAY, of May's Road, St. Auburns, Christchurch, Canterbury, New Zealand, Builder. An improved door-holder.

Claim.—In combination, a vertically sliding rod having a foot at its lower end and an eccentric strap at its upper end, a knob integral, with an eccentric sheave adapted to fit said eccentric strap, and means for revolvably securing said knob to a door, substantially as specified and illustrated.

(Specification, 1s. 9d. ; drawing, 1s.)

No. 17980.—31st May, 1904.—HENRY GEORGE STEWART, of Silverhope, Marton, Wellington, New Zealand, Blacksmith. An improved boot-cleaning machine.

Claims.—(1.) For the purpose indicated, a brush revolvably mounted between fixed supports, the axle of said brush having slots at one end which receive the bifurcated end of a spindle journaled in the support upon that side of the machine, said spindle having a pulley fixed upon it by which it is revolved, the opposite end of said axle having a hole which receives a spindle sliding in the support upon that side of the machine, substantially as and for the purposes specified, and as illustrated in the drawing. (2.) The band-tension apparatus, comprising a pivoted lever having a sheave the periphery of which has a groove to receive the band, and a pin at the end of said lever adapted to enter one or other of a plurality of notches formed in a pivoted lever, substantially as specified and illustrated.

(Specification, 2s. 9d. ; drawing, 1s.)

No. 18008.—8th June, 1904.—WILLIAM WHITE, of Tarras, Cromwell, Otago, New Zealand, Labourer. Improved standards for wire fencing.

Claims.—(1.) Standard for wire fencing, comprising, in combination, a grooved button for the purpose of fastening the fence-wire to the standard, the button or buttons being riveted or screwed on to the standard, substantially as described, and as illustrated by drawing. (2.) Standard for wire fencing is grooved for each wire required, comprising, in combination, a button for the purpose of fastening the fence-wire to the standards, a portion of the standard is doubled or may be trebled in thickness for the purpose of driving standard in the ground, substantially as described, and as illustrated by drawing.

(Specification, 3s. ; drawings, 2s.)

No. 18023.—8th June, 1904.—OLD'S MOTOR-WORKS, of Detroit, Michigan, United States of America, Manufacturers (assignees of Norman Taylor Harrington, of Detroit aforesaid, Mechanical Engineer). Motor vehicle.

Claims.—(1.) In a motor vehicle, the construction of the engine-casing, having inclined entering-slots for the shaft with part-bearings at their lower ends and removable filling-blocks for said slots clamped between the walls thereof and having complementary bearings for the shaft. (2.) In a motor vehicle, the arrangement of the engine-casing above described in connection with the frame of the vehicle, and the drive-connections to the drive-axle whereby the principal stress of the engine-shaft is borne by a stationary bearing in said casing instead of the removable bearing. (3.) In a motor vehicle, the means employed in connection with the motor, the starting mechanism therefor, and the independently adjustable controlling-device for advancing or retarding the spark, whereby the starting mechanism is inoperative

save where adjustment is made of the sparker suitable for the initial operation of the engine. (4.) In a motor vehicle, the construction and arrangement of the controlling-levers, and their connections for adjusting the sparker and throttle of the engine in connection with the steering mechanism, whereby the steering-stem may be adjusted in inclination without affecting said controlling-levers, the steering-wheel may be rotated without rotation of said controlling-levers, and said levers may be independently adjusted between limits which are unchanged by the rotation of the steering-wheel. (5.) In a motor vehicle, the peculiar construction and arrangement of the body of the vehicle, having hinged sections constituting portions of the footboard and seat, in connection with a supporting-frame, and mechanism carried thereby, whereby free access may be had to all parts of the mechanism by the movement of said hinged sections and seat. (6.) In a motor vehicle, the construction of the carburetter, comprising an oil-discharge nozzle arranged centrally within the air-induction conduit, together with an iris diaphragm for variably restricting said conduit adjacent to said nozzle. (7.) In a motor vehicle, the construction of the transmission gearing, characterized by a plurality of planetary-gear trains, and an enclosing housing therefor connected to a member of one train and forming a member of a friction-clutch for locking said trains, the other member of which is also enclosed within said housing.

(Specification, 17s. ; drawings, 10s.)

No. 18029.—13th June, 1904.—JEANIE ARNOLD, wife of William George Arnold, of McDougall Street, Milton, Brisbane, Queensland, Laundry-proprietor. An improved washing-machine.

Claims.—(1.) The combination of the several parts constituting the improved washing-machine constructed, arranged, and operating as shown in the drawings, substantially as described. (2.) In a washing-machine, a rotatable cage or basket having lobes on the circumference, substantially as described. (3.) In a washing-machine, the combination of a rotatable cage with lobes and a number of internal beaters, substantially as described. (4.) In a washing-machine, the combination of a rotatable cage with lobes on the circumference, and a number of internal beaters, and a boiler, substantially as described. (5.) In a washing-machine, the combination of a rotatable cage with lobes, and a number of internal beaters, and a boiler with a furnace, constructed substantially as described.

(Specification, 2s. 9d. ; drawing, 2s.)

No. 18036.—15th June, 1904.—JAMES BALLANTYNE HANNAH, of Cove Castle, Loch Long, Dumbarton, North Britain, Chemist. Improvements in anti-fouling composition for ships' bottoms.

Claims.—(1.) An anti-fouling composition, having the following ingredients: Oxide of mercury, oleate of mercury, white precipitate, lithopone, oxide of iron, copper stearate, resin, linseed-oil, and naphtha, with or without the addition of petroleum-spirit, substantially as described. (2.) An anti-corrosive composition, having the following ingredients: Oxide of iron, lithopone, linseed-oil, resin, mineral pitch, and naphtha, with or without the addition of petroleum-spirit, substantially as described.

(Specification, 2s. 6d.)

No. 18038.—15th June, 1904.—FRANK ALEXE, of 123, Cannon Street, London, England, Director of Public Companies. Apparatus for forming casks, barrels, and other similar receptacles made with staves.

Claim.—An apparatus for forming casks, barrels, and other similar receptacles made of staves previously connected together by wires or metal hoops, comprising two semi-cylindrical parts jointed together in the form of a cage, one part being fixed and the other movable, the two parts being brought near together by any suitable tightening-device, substantially as described.

(Specification, 3s. 6d. ; drawings, 2s.)

No. 18039.—15th June, 1904.—UNITED SHOE MACHINERY COMPANY, of Paterson, in the State of New Jersey, United States of America, a corporation duly organized under the laws of said State of New Jersey, and having a place of business at 205, Lincoln Street, Boston, Massachusetts, United States of America (assignees of Frederick Lyman Alley, of 83, Clarence Street, Sydney, New South Wales, Australasian Manager of said company). Hot-water circulating-device for heating wax-pots.

Claims.—(1.) Hot-water circulating-device for heating wax-pots, comprising a water-reservoir above the wax-pot, circulating-passages about the latter, and a heating-worm below, all connected together and arranged substantially as set forth. (2.) Hot-water circulating-device for heating wax-pots, of the character specified, comprising a water-reservoir above the wax-pot, supply-pipe leading to a helically coiled worm below, the upper end of said worm communicating with the lowermost portion of circulating-passages surrounding the heating-channel of said wax-pot, and branch pipes leading from said passages to the supply-pipe, substantially as set forth.

(Specification, 2s. 6d. ; drawings, 2s.)

No. 18041.—15th June, 1904.—JAMES THOMAS HUNTER, of Queen's Chambers, Wellington, New Zealand, Registered Patent Agent (nominee of Conrad Regenbogen, of Westinghouse Works, Trafford Park, Manchester, Lancaster, England; and Edwin Ruud, of 214, Wood Street, Pittsburg, Pennsylvania, United States of America, Engineers). Improvements in or relating to igniter mechanism for internal-combustion engines.

Claims.—(1.) In an internal-combustion engine, electric igniter mechanism which is actuated by a movement of the inlet-valve-operating rod, substantially as and for the purpose specified. (2.) An internal-combustion engine having igniter mechanism provided with actuating-means constructed and operating substantially as described with reference to either of the forms shown in the drawings.

(Specification, 4s. 3d. ; drawing, 1s.)

No. 18044.—15th June, 1904.—WILLIAM ANTHONY PRICHARD, of Macdonald Street, Kalgoorlie, Western Australia, Mining Engineer. Improved pressure filter for slimes.

Extract from Specification.—The mixture as a whole is fed into the lowest end of the main chamber of the appliance and the liquids forced out through the filtering-mediums, while the mixture during its process of exhaustion is concurrently conveyed upwards by revolving propeller-blades, and the undissolved residue being finally discharged at and from the top of the chamber. The appliance for effecting this process of pressure filtration consists of an upright chamber of a cylindrical or conical form and whose internal wall is made to be of an uneven surface by ribbed or channelled formations which act as intervening passages for leading to the exits of the filtrate solutions, said formations further act as supports for the filtering-mediums, and which latter may consist of cloths of metallic protector screens. The filter-chamber is provided with an internal hollow shaft arranged to be rotatable. This shaft is formed with orifices, and said shaft is divided into two compartments, into the lower one of which wash-water or other liquids or fluids under pressure is admitted while preferably compressed air as a drying agent is fed into the upper compartment so as to blow through the undissolved material and so carry out any liquids remaining therein and prior to its final discharge.

[NOTE.—The above extract from the specification is inserted in place of the claims.]

(Specification, 5s. 6d. ; drawing, 2s.)

No. 18045.—16th June, 1904.—HUGH THOMAS SMITH, of Sydney, New South Wales, Australia, Engineer. Improvements in appliances for carbonating liquids.

Claim.—In appliances for carbonating liquids, the combination with a horizontal cylinder that is provided with stirrers or agitators of a pipe connection leading into the top side of the cylinder, whereby the liquid may be admitted thereto in the form of a spray, and a pipe connection to the bottom side of the cylinder for the purpose of admitting the gas for carbonating the liquid, as specified.

(Specification, 2s. 3d. ; drawing, 1s.)

No. 18050.—16th June, 1904.—HARRY TEE, of 5, Castle Street Arcade, Cook Street, Liverpool, Lancaster, England, Engineer. Improvements in or connected with the manufacture of salt.

Claims.—(1.) In the manufacture of white salt from impure or discoloured rock salt, the process of purifying same, consisting in subjecting the body of molten rock salt to the continued forcing through it of air (preferably highly heated air) for a period of time, such as specified. (2.) In the manufacture of white salt from discoloured or impure rock salt, the described process, consisting of melting the discoloured or impure rock salt; then purifying the salt by forcing air through it while in a molten state; and then sub-

sequently effecting the separation of the salt and foreign matters, or residual solid impurities in it, by causing it to remain quiescent while in a molten state, for the purposes set forth. (3.) In the manufacture of white salt from discoloured or impure rock salt, the described process; consisting of melting the discoloured or impure rock salt in one vessel or furnace; removing the molten salt to another vessel; subjecting the molten salt in said other vessel, or in the first vessel or furnace, or in both, to the action of air forced through it; and separating the foreign matters or residual solid impurities from the purified salt in the said other vessel, by causing it to remain quiescent in such vessel; substantially as set forth. (4.) Effecting the manufacture of white salt from discoloured or impure rock salt by and in an apparatus as set forth and shown, and by treating it in the manner as set forth.

(Specification, 3s. 6d.; drawing, 1s.)

No. 18052.—16th June, 1904.—JOHN ALFRED MERRETT, of care of Joseph Nathan and Co., Merchants, of Wellington, New Zealand, Engineer. An improved hinge for the doors of cold-stores and the like.

Claims.—(1.) A hinge for the purpose indicated, comprising, in combination, a part secured to the door, a knuckle joint pivotally connecting said part to a bracket, a bracket having an eye at its outer end, a boss having an upwardly projecting pivot-pin received by said eye, and means for securing said boss to the freezing-chamber, substantially as and for the purposes specified, and illustrated in the drawing. (2.) A hinge for the purpose indicated, comprising, in combination, a part secured to the door, a knuckle joint pivotally connecting said part to a bracket, a bracket having an eye at its outer end, a boss having an upwardly projecting pivot-pin received by said eye, a bolt securing the boss to the freezing-chamber, and pointed pins projecting from the inner face of said boss, substantially as and for the purposes specified and illustrated. (3.) A hinge for the purpose indicated, consisting of the parts arranged, combined, and operating substantially as and for the purposes specified, and illustrated in the drawing.

(Specification, 2s.; drawing, 1s.)

No. 18056.—17th June, 1904.—ARTHUR REGINALD ANGUS, of Barry Street, Neutral Bay, New South Wales, Australia, Solicitor; and HEBER MAXWELL LAUGHER (commonly known as Heber Lockyer), of Alfred Street North, Sydney, New South Wales aforesaid, Agent (assignees of Robert Massey, of Alfred Street North, Sydney aforesaid, Mechanical Engineer). A new device for enabling railway-cars to travel over railway-lines of varying gauges.

Claims.—(1.) In a device for enabling railway-cars to travel over railway-lines of varying gauge, the combination with each wheel of the car of an axle provided with two bearings, one on each side of the wheel, such axle having a collar or flange at its inner extremity and being capable of longitudinal movement in its bearings, substantially as described, and illustrated in the drawings. (2.) In the said device, the combination with each other of two independent axles disposed in the same straight line, each such axle carrying a wheel and provided with two bearings, one on each side of such wheel, the said axles being capable of longitudinal movement in their bearings, and each terminating in a collar or flange at its inner extremity, substantially as described, and illustrated in the drawings. (3.) In the said device, the construction of a locking-box for the reception of locking-pieces, the said locking-box being formed by rigidly connecting the inner bearing-blocks of the railway-car with each other by steel plates, the surfaces of the said plates being disposed parallel to the bottom of the car, substantially as described, and illustrated in the drawings. (4.) In the said device, the combination with the locking-box of two locking-pieces lying within the locking-box, the said locking-pieces having semicircular grooves and flange-seats on their inner sides and being pressed against each other by springs attached to the locking-box, substantially as described, and illustrated in the drawings. (5.) In the said device, the combination with two independent axles disposed in the same straight line and having collars and flanges at their inner extremities, of locking-pieces enclosed in a locking-box constructed as described, the said locking-pieces being pressed against each other by springs attached to the locking-box and having on their inner sides semicircular grooves loosely fitting the axles, and flange-seats for the reception of the axle-flanges, substantially as described, and illustrated in the drawings. (6.) In the said device, an unlocking-bolt, constructed substantially as described, and illustrated in the drawings. (7.) In the said device, the combination with the locking-box of an unlocking-bolt, constructed as described, and passing through holes or slots in the centre of the upper and lower plates of the locking-box, the said bolt being provided with

guides affixed to the locking-box and being susceptible of up-and-down motion in the said holes or slots, substantially as described, and illustrated in the drawings. (8.) In the said device, the combination and arrangement of the locking-box, locking-pieces, and unlocking-bolt, substantially as described, and illustrated in the drawings. (9.) In the said device, the use of an unlocking-slide, constructed as and for the purposes described, and illustrated in the drawings. (10.) In the said device, the combination and arrangement of the unlocking-bolt and unlocking-slide, substantially as described, and illustrated in the drawings. (11.) In the said device, the combination and arrangement of the central guard-rails with angle-irons affixed to the bottom of the lower plate of the locking-box, and engaging between the said guard-rails, substantially as described, and illustrated in the drawings. (12.) The combination of the several appliances constituting the said device, substantially as described, and illustrated in the drawings.

(Specification, 15s. 6d.; drawings, 1s.)

No. 18063.—21st June, 1904.—JAMES PALMER CAMPBELL, of 15, Featherston Street, Wellington, New Zealand, Solicitor (nominee of Henry Chitty, of 2, Norfolk Street, Strand, London, England, Electrical Engineer). Improvements in dynamo-electric machines.

Claims.—(1.) An electric machine having a bridge-piece of magnetic material extending between adjacent pole-tips furnishing a shunt-path for the magnetic flux and formed of such a section that in combination with a slot or slots in the pole-piece a strong magnetizing force may be concentrated upon the neck or contracted portion formed by said slot or slots in the leading-pole tip, for the purpose specified. (2.) The modification of the invention in which the pole-pieces are provided with slots at both tips so that either of the necks or contracted portions thus formed can be raised to the desired degree of saturation at no load by means of the bridge-piece according to the direction in which the armature is rotated. (3.) The modification of the invention in which the bridge-piece diminishes in cross-section from the trailing side towards the leading side so that the fringing or spreading of the magnetic flux at the trailing-pole tip may be assisted as the load increases, while at the leading-pole tip such a fringing or spreading is limited. (4.) For an electric machine, means for controlling the distribution of the magnetic flux, constructed and operating substantially as described with reference to the drawings.

(Specification, 6s. 6d.; drawings, 2s.)

No. 18066.—21st June, 1904.—JAMES PALMER CAMPBELL, of 15, Featherston Street, Wellington, New Zealand, Solicitor (nominee of Henry Chitty, of 2, Norfolk Street, Strand, London, England, Electrical Engineer). Improvements in rotary electric machines.

Claims.—(1.) For the rotating portion of electric machines, an end or supporting plate having a number of chambers round its circumference provided both at their inner and outer ends with apertures, those at the inner ends of said chambers being so located that they do not communicate with the channels through which air is supplied for cooling the armature core, so that a draught of air will be provided for cooling the end windings of the machine without lessening the quantity of air circulating in the armature core. (2.) An end or supporting plate for the rotating portion of an electrical machine, constructed and operating substantially as described with reference to the drawings.

(Specification, 3s.; drawing, 1s.)

No. 18072.—22nd June, 1904.—WILLIAM EDWARD BARKER, Farmer; and OWEN HERBERT BARKER, Gentleman, both of Peel Forest, Rangitata, Canterbury, New Zealand. Improvements relating to hydraulic rams.

Claim.—An improvement in hydraulic rams, consisting of the combination with an air-vessel of an air-valve connected thereto and communicating with the interior thereof below the normal level of water therein.

(Specification, 1s. 9d.; drawing, 1s.)

No. 18078.—23rd June, 1904.—HENRY ERNEST PARRY, Civil Engineer; ROBERT WILLIAM THOMSON, Electrical Engineer; and WILLIAM JAMES FARLEY, Merchant, all of Wellington Street, Perth, Western Australia. Improved reversible rotary engine.

Extract from Specification.—This invention of an improved reversible rotary engine consists in the employment of a rotary and circular piston working within an

elliptical-shaped cylinder, and also in the peculiar arrangement of a central circular valve which proceeds into the bore of the piston and communicating with ports formed radially in the piston for the admission and exit of steam to and from each of the driving-blades of the piston. The invention further essentially consists in the means for independently or concurrently operating the valves, and also in means for controlling the elliptical travel of the multiple blades and for the simultaneous admission and exit of steam to and from opposite points of the piston, so allowing of an easy and instant reversal of the engine and also of the use of the steam to its maximum expansive value.

[NOTE.—The above extract from the specification is inserted in place of the claims.]

(Specification, 7s. 6d.; drawing, 3s.)

No. 18099.—30th June, 1904.—GEORGE MOORE, of 11, Broadway, New York, United States of America, Metallurgical Engineer. Improvements in filters.

Extract from Specification.—This invention relates to improvements in filters, and particularly to such as are especially adapted for being operated through pressure. The invention comprises, in combination with a pressure-chamber, filtering-means within the same, means for supplying material to be filtered to said filtering-means, means for passing liquids from said material through said filtering-means under pressure, suction-means for retaining solids on the filtering-means when the pressure is relieved, and means for removing the solids after such filtering operation. It also consists in certain other novel constructions, combinations, and arrangements of parts, as will be fully described and claimed.

[NOTE.—The above extract from the specification is inserted in place of the claims.]

(Specification, 10s.; drawing, 2s.)

An asterisk (*) denotes the complete specification of an invention for which a provisional specification has been already lodged.

NOTE.—The cost of copying the specification and drawing has been inserted after the notice of each application. An order for a copy or copies should be accompanied by a post-office order or postal note for the cost of copying.

The date of acceptance of each application is given after the number.

Extracts from the drawings accompanying the foregoing complete specifications appear at the end of this *Gazette*.

F. WALDEGRAVE,
Registrar.

Provisional Specifications.

Patent Office,
Wellington, 20th July, 1904.

APPLICATIONS for Letters Patent, with provisional specifications, have been accepted as under:—

No. 18034.—14th June, 1904.—JOHN PEARSON, of Fourth Terrace, Stafford, Westland, New Zealand, Miner. An improved pruning-knife.

No. 18060.—21st June, 1904.—SYDNEY HAROLD DAY, of Waverley, Barkly, Southland, New Zealand. Improved holder for wool-skeins, &c.

No. 18064.—21st June, 1904.—HENRY CHARLES BRAUN, of 8, The Avenue, Barnet, Hertford, England, Engineer. Improvements in telegraph apparatus.

No. 18065.—21st June, 1904.—WILLIAM YOUTEN, of 159, Victoria Street, Westminster, London, England, Architect. Improvements in ginning, burring, and like fibre-cleaning machines.

No. 18074.—23rd June, 1904.—HENRY BEATSON MORRISON, of John Street, Singleton, New South Wales, Australia, Bootmaker. Improvements in the heels of boots and shoes.

No. 18090.—25th June, 1904.—JAMES PATERSON, of Thames, New Zealand, Plumber; and HENRY MORTIMER CORN, of Auckland, New Zealand, Plumber. Improvements in socket-pipes.

No. 18110.—29th June, 1904.—JOHN POMEROY, of Invercargill, New Zealand, Fish-curer. Improvements in machinery for treating flax.

No. 18111.—30th June, 1904.—WILLIAM DALL, of Dunedin, New Zealand, Merchant. An improved voting-register.

No. 18123.—4th July, 1904.—THOMAS HAROLD DODGE and EDWIN KENNETH DODGE, both of Hornby, New Zealand, Hay-pressers. Improvements in or relating to means for operating hay and other analogous presses.

No. 18124.—4th July, 1904.—P. AND D. DUNCAN, LIMITED, of Tuam Street, Christchurch, New Zealand, Engineers (assignees of James Keir, of Colombo Road, Sydenham, New Zealand). An improvement in tip carts and drays.

No. 18125.—4th July, 1904.—JOSEPH WILSON, of Christchurch, New Zealand, Advertising Agent. An improved file for newspapers, letters, and other like sheet material.

No. 18126.—4th July, 1904.—THOMAS WILLIAM BUTCHER, of 38, Lambton Quay, Wellington, New Zealand, Broker; and HERBERT STANLEY ROSE, of 6, Rees Street, Christchurch, New Zealand, Engineer. Extinguishing the light of the Kitson high-pressure oil-lamp and those applied on the "Kitson" system or other high-pressure lamps automatically.

No. 18129.—6th July, 1904.—ROBERT GARNHAM, of Wellington, New Zealand, Painter. Improved valves for use in connection with water-cisterns.

No. 18143.—8th July, 1904.—JOHN THOMAS MEREDITH, of Geraldine, New Zealand, Cycle-engineer. Improved means for attaching a metal shield to the wearing part of motor and suchlike tires.

No. 18144.—11th July, 1904.—SAMUEL NICOLSON, of Medway Street, Gore, New Zealand, Sailmaker. An improved non-freezable tap.

No. 18145.—8th July, 1904.—WALTER GEORGE STODDART, of 45, Malop Street, Geelong, Victoria, Australia, Dentist. Portable apparatus for driving-drills and the like instruments for dentists and surgeons.

No. 18146.—8th July, 1904.—PERCY HENRY SHAILER, of "The Carlton," City Road, Auckland, New Zealand, Merchants' Assistant. An improved submarine torpedo-boat.

No. 18147.—12th July, 1904.—SAMUEL GEORGE ROSEMAN, of Grey Lynn, Auckland, New Zealand, Brush-manufacturer. Improvements in the manufacture of brooms and brushes.

No. 18148.—12th July, 1904.—ALBERT WILLIAM COLLETT, CHARLES BERESFORD EDKINS, and EDWARD MARTIN EDKINS, trading as "Collett and Edkins," of Dannevirke, New Zealand, Engineers, &c. A log-hauling pulley-block.

No. 18149.—12th July, 1904.—HUBERT HENRY BACH, of Grey Lynn, Auckland, New Zealand, Bicycle Agent. Improvements in the sliding seats of rowing-boats.

No. 18150.—12th July, 1904.—BERNARD FRANCIS DUNN, of Auckland, New Zealand, Cabinetmaker. Improved means for use in tightening wire mattresses.

NOTE.—Provisional specifications cannot be inspected, or their contents made known by this office in any way, until the complete specifications in connection therewith have been accepted.

The date of acceptance of each application is given after the number.

F. WALDEGRAVE,
Registrar.

Letters Patent sealed.

LIST of Letters Patent sealed from the 7th July to the 19th July, 1904, inclusive:—

Nil.

F. WALDEGRAVE,
Registrar.

Letters Patent on which Fees have been paid.

[NOTE.—The dates are those of the payments.]

SECOND-TERM FEES.

No. 12743.—W. Stimpson, wire-strainer. [H. A. Wilson.] 4th July, 1904.

No. 12833.—W. L. Voelker, incandescing electric-lamp filament. 14th July, 1904.

No. 12902.—The British Westinghouse Electric and Manufacturing Company, Limited, electric generator and motor. [N. W. Storer.] 6th July, 1904.

No. 12922.—W. L. Voelker, incandescing electric-lamp filament. 14th July, 1904.

No. 12964.—H. Marshall, boot and shoe sewing-machine attachment. 16th June, 1904.

No. 12984.—J. B. Mack, food for calves. 19th July, 1904.

THIRD-TERM FEE.

No. 10220.—A. Kapteyn, valve for pneumatic railway-brake. 19th July, 1904.

F. WALDEGRAVE,
Registrar.

Subsequent Proprietors of Letters Patent registered.

[NOTE.—The name of the patentee is given in brackets. The date is that of registration.]

No. 13138.—James Stevenson, of Francis Street, Perth, in the State of Western Australia, Hotelkeeper (registered as proprietor of an undivided half share). Draught-excluder for door. [C. Pritchard and H. Smith.] 18th July, 1904.

No. 13688.—United Shoe Machinery Company, of Paterson, in the State of New Jersey, United States of America, a corporation duly organized under the laws of said State of New Jersey, and having a place of business at 205, Lincoln Street, in Boston, in the Commonwealth of Massachusetts, United States of America (registered as proprietors of all the right, title, and interest of Zachary Taylor French). Sewing-machine. [Z. T. French and W. C. Meyer.] 19th July, 1904.

No. 13830.—David Petrie Davidson, of Pahiatua, in the Colony of New Zealand, Engineer. Means for registering and weighing liquids. [M. N. Olson.] 19th July, 1904.

No. 14184.—James Henry Pomeroy, of Invercargill, in the Colony of New Zealand, Fish-merchant. Hat-fastener. [J. Pomeroy.] 19th July, 1904.

No. 14410.—The New Guttapercha Company, Limited, of Dashwood House, in the City of London, England. Gutta-percha substitute. [A. Gentsch.] 8th July, 1904.

No. 17560.—The Westinghouse Brake Company, Limited, of 82, York Road, in the County of London, England, Manufacturers. Air-brake. [W. E. Hughes—G. Westinghouse.] 8th July, 1904.

No. 17567.—The Consolidated Pneumatic Tool Company, Limited, of Palace Chambers, 9, Bridge Street, Westminster, in the County of Middlesex, England, Manufacturers. Pneumatic-percussive tools. [F. D. Johnson.] 8th July, 1904.

F. WALDEGRAVE,
Registrar.

Applications for Letters Patent abandoned.

LIST of applications for Letters Patent, with which provisional specifications only have been filed, abandoned (*i.e.*, complete specifications not lodged) from the 7th July to the 20th July, 1904, inclusive:—

- No. 16921.—F. G. Shury, filter for boiler.
No. 16924.—J. W. McKirdy, saving gold.
No. 16935.—A. M. S. Watts, fire-guard.
No. 16936.—J. Sawers, milking-machine (A. W. Dobbie and Co., W. R. Thatcher, and N. W. Hussey).
No. 16939.—S. Nicolson, attaching postage-stamps.
No. 16943.—Dunlop Pneumatic Tire Company of Australasia, Limited, tire (F. Wolff).
No. 16944.—A. Gillies, pneumatic teat-cups.
No. 16949.—E. Tregear, motor.
No. 16950.—F. W. Le Brun, clothes-peg.
No. 16951.—D. G. Vaughan, brush-handle.
No. 16952.—W. Wallace, football-valve.
No. 16953.—C. Johnston, sheep-dipping.
No. 16955.—R. Wales, closing doors.
No. 16956.—J. Turnbull and S. Nicolson, tire.
No. 16957.—T. M. Wilford, toasting-appliance.
No. 16959.—J. W. Lyes, trap for sumps.
No. 16960.—J. D. Esmonde, saucepan.
No. 16961.—W. White, fixing bottoms on tins (T. Harkin).
No. 16962.—W. Anderson, sheet-metal cutter.
No. 16964.—W. Vickery, sen., and S. J. and T. H. Vickery, oil-engine.
No. 16965.—J. T. Rodgers, dressing flax.
No. 16968.—J. Longton, float for milk-cans.
No. 16971.—P. van L. Alkemade, rabbit-trapping fence.
No. 16972.—F. P. Roberts, butter-cutter.
No. 16973.—W. Greenshields, tobacco-pipe.
No. 16974.—F. W. Coultard, broom-handle-tapering machine.
No. 16976.—E. J. Ellerm, dust, &c., excluder.
No. 16979.—R. Howland, separator for ironsand.
No. 16980.—E. A. Thornhill, ready reckoner.
No. 16981.—R. A. Thompson, destroying noxious weeds.
No. 16982.—H. K. Wilkinson, ventilating-glass.
No. 16983.—W. Beamish, carrying running-line along standing-line.
No. 16984.—W. Beamish, oil-can.
No. 16993.—W. White, last for boots.
No. 16999.—T. B. Crawshaw, duplicate-order pad.
No. 17000.—J. Holm, mouse-trap.
No. 17002.—A. Ashcroft and S. Clark, mouse-trap.
No. 17004.—W. D. R. McCurdie, corking bottles.
No. 17005.—G. M. Scott, danger-signal.
No. 17006.—R. Wales, cutting material.

- No. 17007.—E. R. Wheeler, booklet and wallet.
No. 17016.—J. Ford, brush.
No. 17018.—H. U. Alcock, billiard and dining table.

ERRATUM.—No. 16918.—A. Dale, spreader for trace, was inadvertently advertised as abandoned in *Gazette* No. 59, of the 7th July, 1904.

F. WALDEGRAVE,
Registrar.

Applications for Letters Patent void.

APPLICATIONS for Letters Patent, with which complete specifications have been lodged, void, owing to non-acceptance of such complete specifications, from the 7th July to the 20th July, 1904, inclusive:—

Nil

F. WALDEGRAVE,
Registrar.

Applications for Letters Patent lapsed.

LIST of applications lapsed owing to Letters Patent not being sealed, from the 7th July to the 20th July, 1904, inclusive:—

- No. 15835.—W. J. M. Harvey, engine-governor.
No. 15857.—W. Cutten, compound winch.
No. 15858.—W. S. Harkness, cow-leg holder.
No. 15864.—D. M. Brooks, fire-escape.
No. 15867.—F. H. Aussel, cow-leg holder.
No. 15874.—W. McCallum and E. Roberts, revolving screen.
No. 15877.—J. W. Tong, siphon.
No. 15880.—T. Hewton, nut and washer.
No. 15891.—D. Urquhart, printing sheep-bags.
No. 15903.—S. Roche, curing ailments.

F. WALDEGRAVE,
Registrar.

Letters Patent void.

LETTERS Patent void through non-payment of renewal fees from the 7th July to the 20th July, 1904, inclusive:—

THROUGH NON-PAYMENT OF SECOND-TERM FEES.

- No. 11930.—A. E. King, rabbit-trap.
No. 12525.—J. F. McCarthy, spark-arrester.
No. 12526.—The International Chemical Company, manufacture of nitrogen compounds (C. S. Bradley and C. B. Jacobs).
No. 12527.—E. Girdler, jaw for stone-crusher.
No. 12535.—F. A. Rich, recovery of gold and silver (S. B. Christy).
No. 12536.—W. Besley, securing horse-covers.
No. 12538.—W. T. Pearce and W. H. Spiller, burner.
No. 12539.—I. Wheeldon, rifle (W. Pell).
No. 12542.—E. H. Kirkby, fire-alarm.
No. 12546.—J. A. Coe, extracting gold.
No. 12551.—A. A. Sherriff, batten for wire fencing.
No. 12552.—A. A. Sherriff, batten for wire fencing.
No. 12554.—J. Ramage, acetylene generator.

THROUGH NON-PAYMENT OF THIRD-TERM FEES.

- No. 9422.—E. J. Pennington, machine-gun.
No. 9449.—I. Watt, H. W. Briggs, J. Watt, generating water-gas (J. and J. Watt).
No. 9450.—W. Stevenson, soldering tins.

F. WALDEGRAVE,
Registrar.

Applications for Registration of Trade Marks.

Patent Office,
Wellington, 20th July, 1904.

APPLICATIONS for registration of the following trade marks have been received. Notice of opposition to the registration of any of these applications may be lodged at this office within two months of the date of this *Gazette*. Such notice must be in duplicate, and accompanied by a fee of £1.

No. of application : 4754.
Date : 7th June, 1904.

TRADE MARK.



STAG.

NAME.

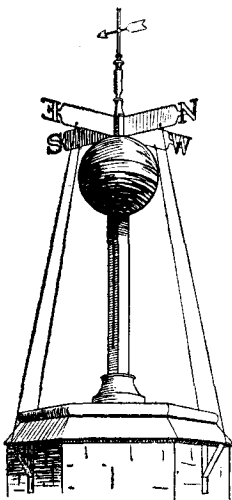
R. WHILEY, Jun., and F. WHILEY (trading as "Whiley Bros."), both of Ohau, in the Colony of New Zealand, Horse Agents.

No. of class : 3.

Description of goods : Ointment and other medicated healing preparations of the same description as ointment.

No. of application : 4765.
Date : 13th June, 1904.

TRADE MARK.



TIMEBALL

NAME.

LONSDALE BROS. AND Co., of Christchurch, in the Colony of New Zealand, Jewellers and Watchmakers.

No. of class : 14.

Description of goods : All articles in the class, including watchmakers' and jewellers' materials, except watches and parts of watches.

No. of application : 4774.
Date : 18th June, 1904.

TRADE MARK.

(The mark as in preceding notice, No. 4765.)

NAME.

LONSDALE BROS. AND Co., of Christchurch, New Zealand, Watchmakers and Jewellers.

No. of class : 10.

Description of goods : Horological instruments and the parts thereof.

No. of application : 4794.
Date : 30th June, 1904.

TRADE MARK.

The word

PIGRAZER.

NAME.

JAMES ROBERT PATTERSON, of Brandon Street, Wellington, New Zealand, Merchant.

No. of class : 42.

Description of goods : Food for animals.

No. of application : 4798.
Date : 1st July, 1904.

TRADE MARK.



The essential particulars of this trade mark are the device of a cannon and the word "Artillery"; and applicant disclaims any right to the exclusive use of the added matter, except as regards his name.

NAME.

WALTER NORMAN BATES, of 96, Colombo Street, Sydenham, Christchurch, in the Colony of New Zealand.

No. of class : 50.

Description of goods : Metal-polish.

No. of application : 4801.

Date : 1st July, 1904.

TRADE MARK.



The applicants claim that the said trade mark has been in use by them since 1895, and by their predecessors (Edwards, Bennett, and Co.), in respect of the article mentioned, prior to 1st January, 1890.

NAME.

JOHN HALL AND Co., LIMITED, of 104, Manchester Street, Christchurch, New Zealand, Grocers.

No. of class : 42.

Description of goods : Tea.

No. of application : 4805.

Date : 2nd July, 1904.

TRADE MARK.

The word

VELVETEEN.

NAME.

AMY COXON, of Marton, in the Colony of New Zealand.

No. of class : 47.

Description of goods : Preparation for cleaning silk, lace, cloth, &c.

No. of application : 4806.

Date : 4th July, 1904.

TRADE MARK.

The word

PROTENE.

NAME.

JOSEPH NATHAN AND Co., of Featherston Street, Wellington, New Zealand, Merchants.

No. of class : 42.

Description of goods : Substances used as food or as ingredients in food.

No. of application : 4810.

Date : 6th July, 1904.

TRADE MARK.

The word

SALTOS.

NAME.

MARSHALLS CHEMICAL COMPANY, LIMITED, of Dunedin, New Zealand, Manufacturing Chemists.

No. of class : 42.

Description of goods : Table salt.

No. of application : 4811.

Date : 7th July, 1904.

TRADE MARK.

The word

HEDAKURE.

NAME.

WILLIAM SORENSON, of Ravensbourne, West Harbour, Dunedin, New Zealand, Miner.

No. of class : 3.

Description of goods : Chemical substances prepared for use in medicine and pharmacy.

No. of application : 4819.

Date : 15th July, 1904.

TRADE MARK.

The word

VELVETEEN.

NAME.

AMY COXON, of Marton, in the Colony of New Zealand.

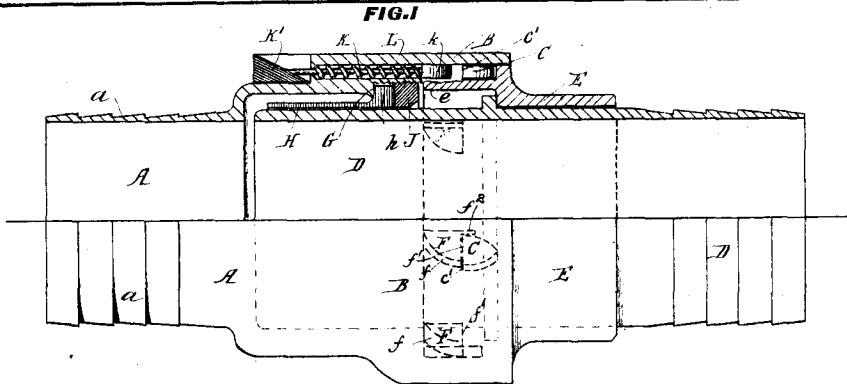
No. of class : 48.

Description of goods : Preparation for the hair.

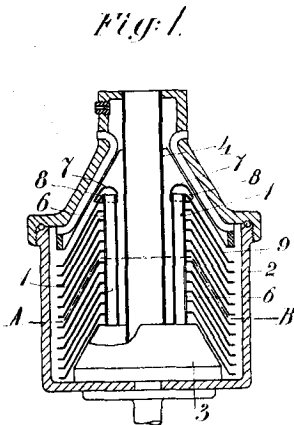
F. WALDEGRAVE,
Registrar.

ILLUSTRATIONS OF INVENTIONS.

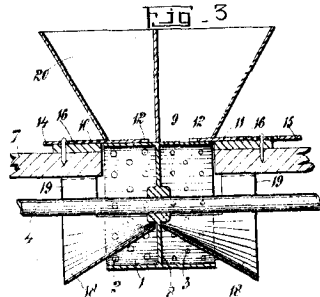
[These illustrations refer to the complete specifications accepted, and advertised in this *Gazette*.]



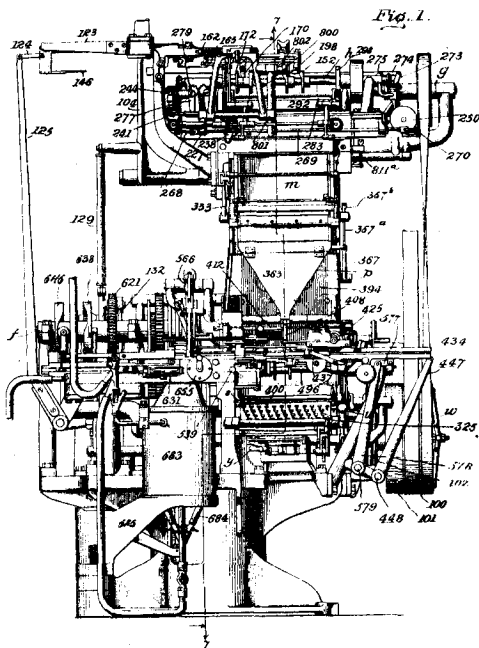
16887
Duffin. Pipe-coupling.



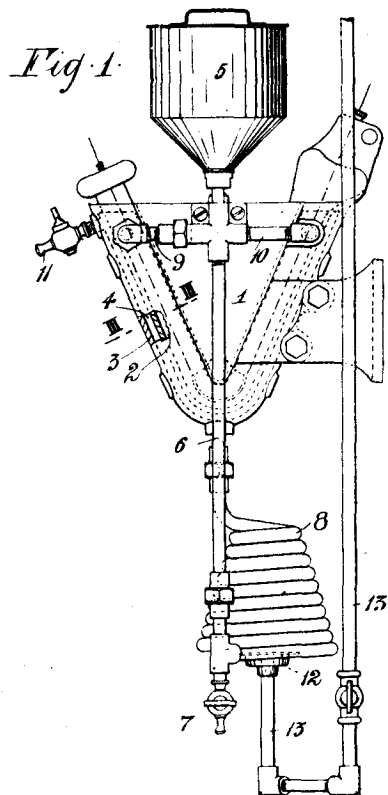
17074
Arnberg. Centrifugal Separator Liner.



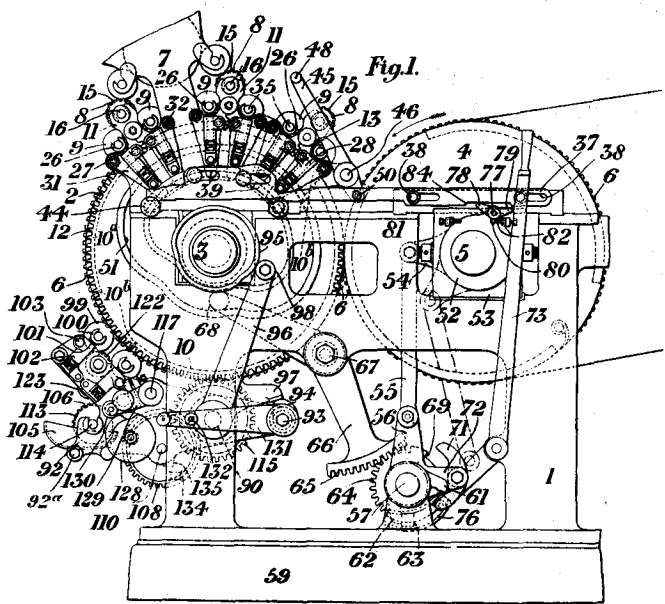
16938
Millar. Seed-sower.



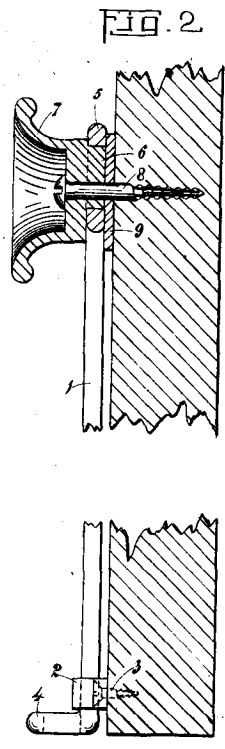
17574
Waters. Typographic Machine.
(National Typographic Company.—Mergenthaler and Lawrenz.)



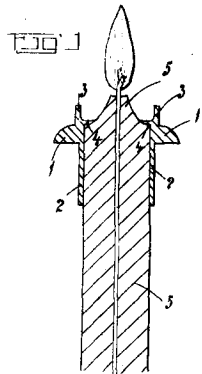
18039
United Shoe Machinery Company. Wax-pot Heater. (Alley.)



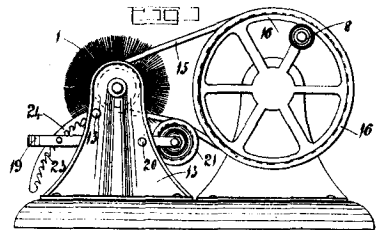
17845
North. Printing-machine.



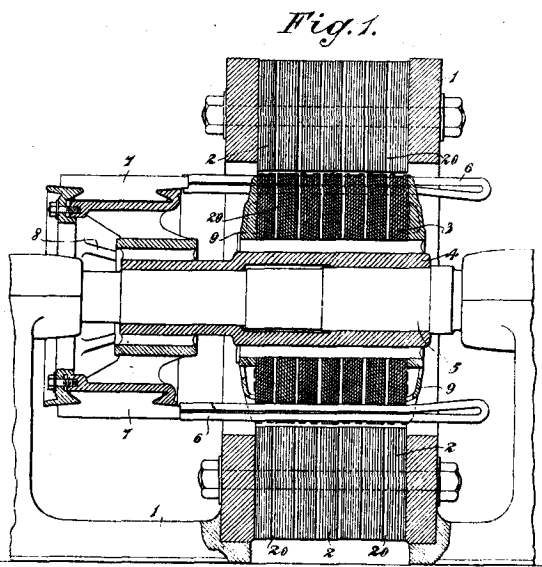
17979
May. Door-holder.



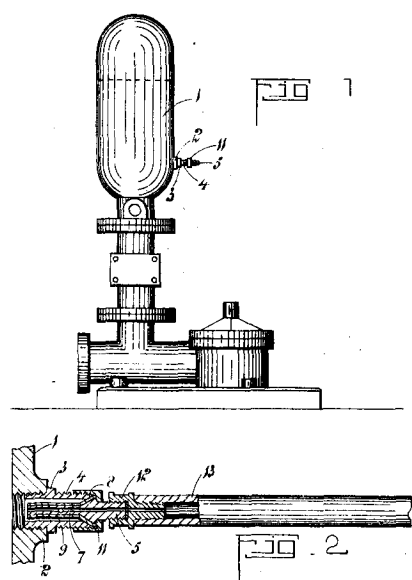
17826
Nash. Preventing Candles Guttering.



17980
Stewart. Boot-cleaner.



18066
Campbell. Rotary Electric Machine. (Chitty.)



18072
W. E. and O. H. Barker. Hydraulic Ram.

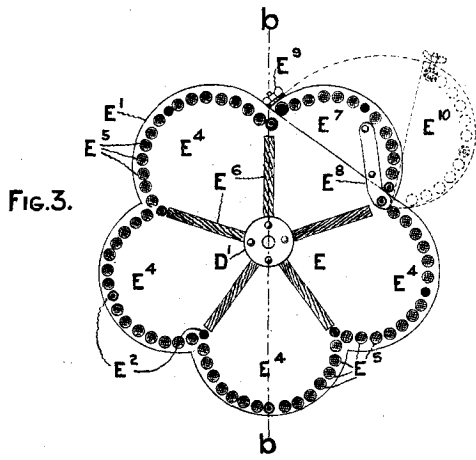


FIG. 3.

18029
Arnold. Washing-machine.

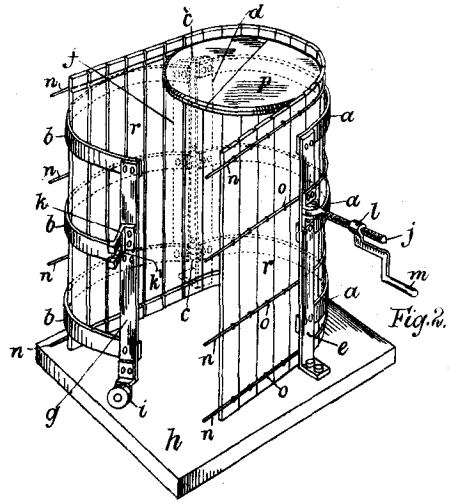


Fig. 2.

18038
Alexe—Casks-forming Appliance.

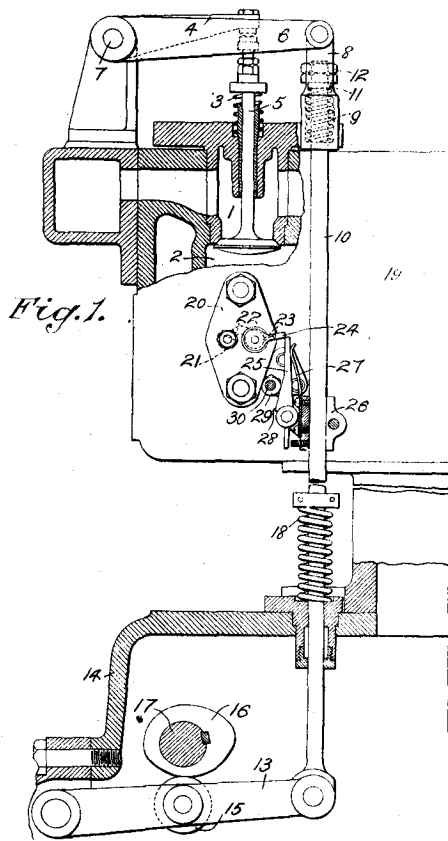


Fig. 1.

18041
Hunter. Engine-igniter Mechanism. (Regenbogen and Rund.)

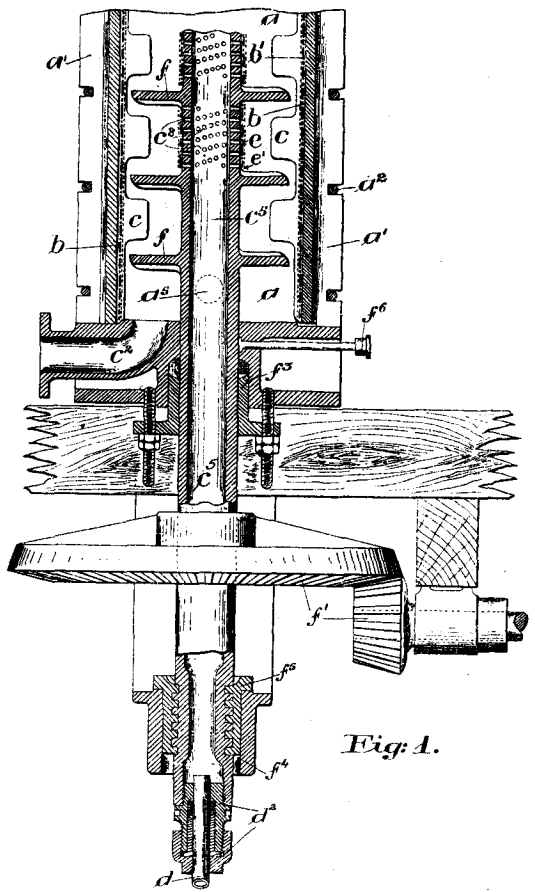
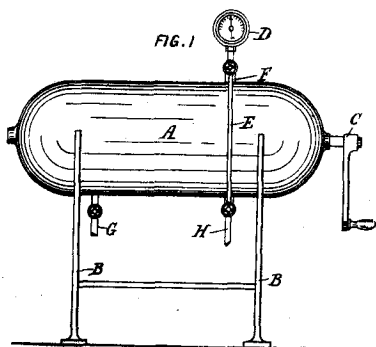
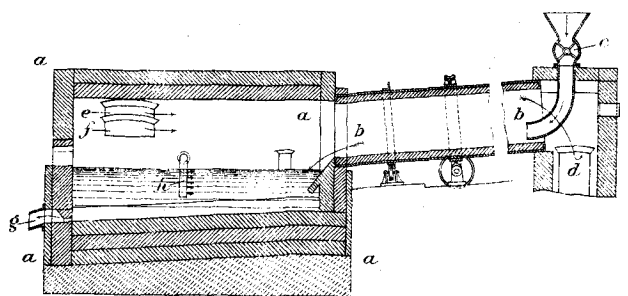


Fig. 1.

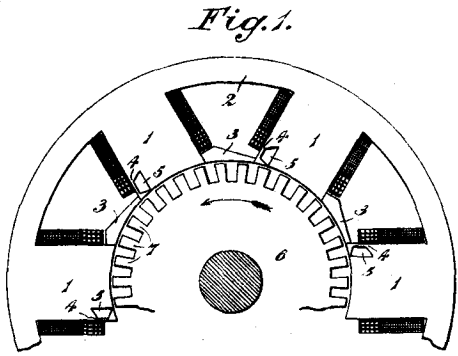
18044
Prichard. Slimes-filter.



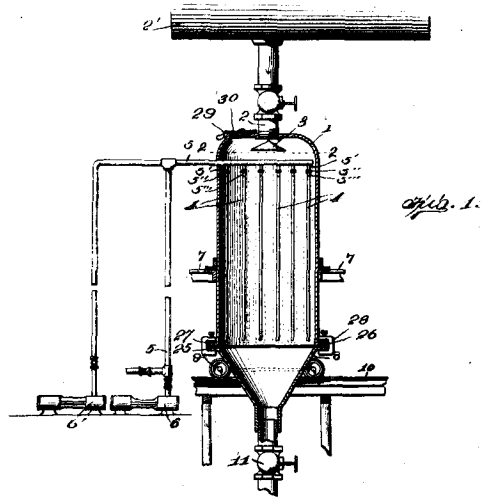
18045
Smith. Liquid-carbonater.



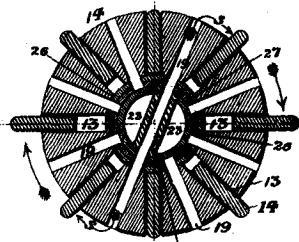
18050
Tee. Manufacture of Salt.



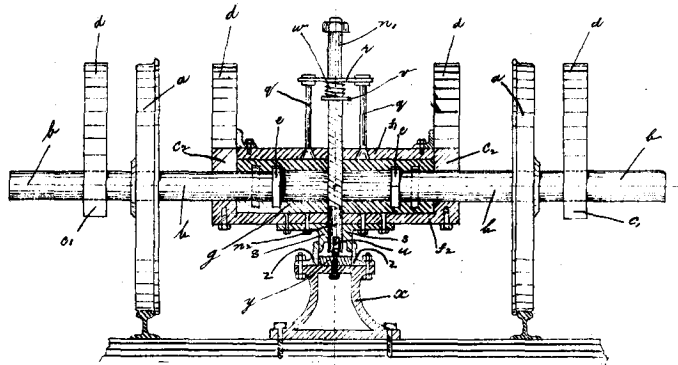
18063
Campbell. Dynamo Electric Machine. (Chitty.)



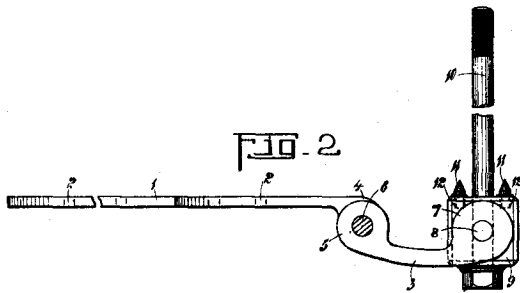
18099
Moore. Filter.



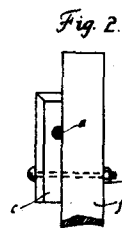
18078
Parry, Thomson, and Farley. Rotary Engine.



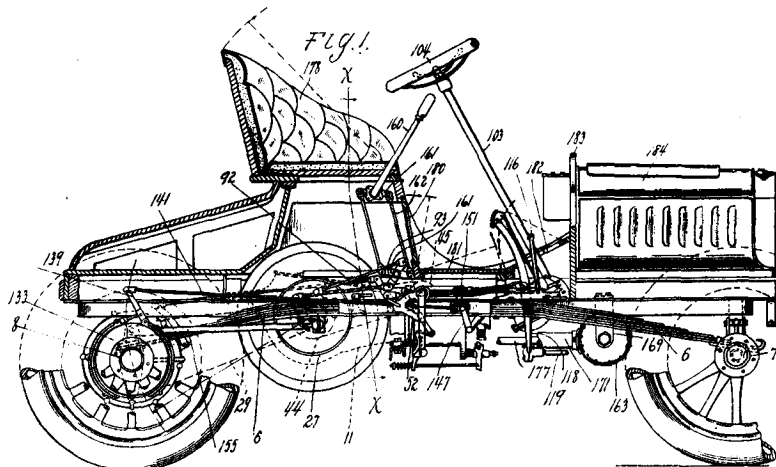
18056
Angus and Laugher. Gauge Adjustment for Car-wheels. (Massey.)



18052
Merrett. Hinge.



18008
White. Fencing-standard.



18023
Olds Motor-works. Motor Vehicle. (Harrington.)

Trade Marks registered.

LIST of Trade Marks registered from the 6th July to the 20th July, inclusive:—

- No. 3645; 4453.—W. G. Vining. Class 22. (*Gazette* No. 94, of the 10th December, 1903.)
 No. 3646; 4626.—The Auckland Freezing Company, Limited. Class 42. (*Gazette* No. 31, of the 14th April, 1904.)
 No. 3647; 4633.—Bing, Harris, and Co. Class 38. (*Gazette* No. 28, of the 31st March, 1904.)
 No. 3648; 4638.—Sargood, Son, and Ewen. Class 38. (*Gazette* No. 31, of the 14th April, 1904.)
 No. 3649; 4386.—British-American Tobacco Company, Limited. Class 45. (*Gazette* No. 36, of the 28th April, 1904.)
 No. 3650; 4663.—W. Watts. Class 3. (*Gazette* No. 36, of the 28th April, 1904.)
 No. 3651; 4681.—Oates, Lowry, and Co. Class 22. (*Gazette* No. 36, of the 28th April, 1904.)
 No. 3652; 4688.—British-American Tobacco Company, Limited. Class 45. (*Gazette* No. 36, of the 28th April, 1904.)
 No. 3653; 4664.—W. Whittingham. Class 42. (*Gazette* No. 31, of the 14th April, 1904.)
 No. 3654; 4627.—Falk, Stadelmann, and Co. Class 13. (*Gazette* No. 28, of the 31st March, 1904.)
 No. 3655; 4668.—R. Tuck and Sons, Limited. Class 39. (*Gazette* No. 36, of the 28th April, 1904.)
 No. 3656; 4689.—T. C. Williams Company. Class 45. (*Gazette* No. 36, of the 28th April, 1904.)
 No. 3657; 4398.—The Preservaline Manufacturing Company. Class 42. (*Gazette* No. 36, of the 28th April, 1904.)
 No. 3658; 4656.—M. Makower and Co. Proprietary, Limited. Class 24. (*Gazette* No. 36, of the 28th April, 1904.)
 No. 3659; 4657.—M. Makower and Co. Proprietary, Limited. Class 31. (*Gazette* No. 36, of the 28th April, 1904.)
 No. 3660; 4666.—Scott and Browne, Limited. Class 3. (*Gazette* No. 36, of the 28th April, 1904.)
 No. 3661; 4670.—Aktiengesellschaft für Feinmechanik vormalis Jetter and Scheerer. Class 11. (*Gazette* No. 36, of the 28th April, 1904.)
 No. 3662; 4676.—L. Violet. Class 43. (*Gazette* No. 36, of the 28th April, 1904.)
 No. 3663; 4687.—W. Snedden. Class 13. (*Gazette* No. 36, of the 28th April, 1904.)
 No. 3664; 4645.—Lever Bros., Limited. Class 50. (*Gazette* No. 31, of the 14th April, 1904.)
 No. 3665; 4646.—Lever Bros., Limited. Class 48. (*Gazette* No. 31, of the 14th April, 1904.)
 No. 3666; 4647.—Lever Bros., Limited. Class 47. (*Gazette* No. 31, of the 14th April, 1904.)
 No. 3667; 4648.—Lever Bros., Limited. Class 47. (*Gazette* No. 31, of the 14th April, 1904.)
 No. 3668; 4649.—Lever Bros., Limited. Class 48. (*Gazette* No. 31, of the 14th April, 1904.)
 No. 3669; 4650.—Lever Bros., Limited. Class 2. (*Gazette* No. 31, of the 14th April, 1904.)

- No. 3670; 4651.—Lever Bros., Limited. Class 3. (*Gazette* No. 31, of the 14th April, 1904.)
 No. 3671; 4652.—Lever Bros., Limited. Class 47. (*Gazette* No. 31, of the 14th April, 1904.)
 No. 3672; 4653.—Lever Bros., Limited. Class 50. (*Gazette* No. 31, of the 14th April, 1904.)
 No. 3673; 4654.—Lever Bros., Limited. Class 47. (*Gazette* No. 31, of the 14th April, 1904.)
 No. 3674; 4655.—Lever Bros., Limited. Class 48. (*Gazette* No. 31, of the 14th April, 1904.)
 No. 3675; 4669.—H. H. Patterson and J. R. Stevenson. Class 2. (*Gazette* No. 36, of the 28th April, 1904.)
 No. 3676; 4678.—The Natural Food Company. Class 42. (*Gazette* No. 36, of the 28th April, 1904.)
 No. 3677; 4679.—G. and H. Barnett Company. Class 12. (*Gazette* No. 36, of the 28th April, 1904.)
 No. 3678; 4637.—Pearson and Rutter, Limited. Class 42. (*Gazette* No. 31, of the 14th April, 1904.)

F. WALDEGRAVE,
Registrar.

Trade Mark Renewal Fees paid.

FEEES paid for the renewal of the undermentioned Trade Marks for fourteen years from the date first mentioned:—

- No. 80/131.—23rd July, 1904.—W. T. Bigsby and Sons, of Deptford, England. 6th July, 1904.
 No. 112/88.—8th September, 1904.—C. F. Cooper, of Auckland, New Zealand. 7th July, 1904.
 No. 113/93.—10th September, 1904.—C. Inman, of Okaramio, New Zealand. 12th July, 1904.
 Nos. 117/90, 118/91, 119/92.—22nd September, 1904.—Fletcher, Humphreys, and Co., of Christchurch, New Zealand. 8th July, 1904.

F. WALDEGRAVE,
Registrar.

Subsequent Proprietors of Trade Marks registered.

[NOTE.—The name of the former proprietor is given in brackets. The date is that of registration.]

- No. 77/6891.—The Davis and Lawrence Company, carrying on business in Montreal, in Canada, and in New York, in the United States of America, and having its head office and principal place of business at No. 356, St. Antoine Street, Montreal aforesaid. [Perry Davis and Son.] 18th July, 1904.
 Nos. 85/4197, 87/370, 1677-1403.—John Newton and Son, Limited, having its registered office at Kaiwarra, Wellington, New Zealand. [J. Newton.] 19th July, 1904.
 Nos. 2458-2231, 2758-2150, 3151-2486.—John Newton and Son, Limited, having its registered office at Kaiwarra, Wellington, New Zealand. [J. Newton and Son.] 19th July, 1904.

F. WALDEGRAVE,
Registrar.

Alphabetical List of Applicants for Letters Patent for Quarter ending 30th June, 1904.

THIS list includes also (1) applications lodged prior to but gazetted during the quarter, (2) complete specifications following provisional specifications accepted and gazetted during the quarter. Where the number and date of the *Gazette* are omitted, the application has not yet been accepted.

* Denotes a provisional specification.
 † Denotes a prior date under section 106 of "The Patents, Designs, and Trade Marks Act, 1889."

Name, Address, and Invention.	Application.		Gazette.	
	No.	Date.	No.	Date.
Aarutaua. (See Te Aarutaua.)				
Adams, J., Hamilton, N.Z. Nut-wrench	18084	22 June
Adams, R. N., and another, Dunedin, N.Z. Sash mover and lock ..	17786	12 April ..	36	28 April.*
Ah Pat, Foxton, N.Z. Nail-handler	17799	18 April ..	42	12 May.
Ah Pat, Foxton, N.Z. Bicycle-driving mechanism	17798	18 April ..	42	12 May.*
Aktiebolaget Sveaseparatorn, Stockholm, Sweden. Centrifugal separator-pipe. (A. L. Christenson)	17948	25 May ..	54	23 June.
Alcock, F. A., Melbourne, Vic. Billiard-table	18046	16 June ..	54	23 June.*
Alcock, H. U., Melbourne, Vic. Billiard-cabinet and marking-board	17757	8 April ..	36	28 April.*
Aldenhoven, H., and another, Kent Town, S.A. Hydraulic ram ..	18009	8 June ..	59	7 July.
Alexander, L. W., New Plymouth, N.Z. Golf-club	17736	28 Mar. ..	36	28 April.*
Alexe, F., London, Eng. Forming casks, barrels, &c.	18038	15 June ..	62	21 July.
Allan, C. F. F., Auckland, N.Z. Portable baker's oven	17971	30 May ..	49	9 June.*
Alley, F. L., Sydney, N.S.W. (See United Shoe Machinery Company, Nos. 17923, 18038.)				
Allnutt, G. T., Cheltenham, Vic. Horse-curber	18043	14 June ..	54	23 June.*
Anderson, H. S., Dunedin, N.Z. Hand-scoop	18096	24 June ..	59	7 July.*
Anderson, R., and another, Hokonui, N.Z. Post-hole borer ..	16916	4 Sept., 1903 ..	54	23 June.
Andrews and Beaven, Christchurch, N.Z. (See W. Andrews and A. W. Beaven)				
Andrews, W., and others, Christchurch, N.Z. Grass-seed cleaner ..	17743	6 April ..	42	12 May.
Andrews, W., and others, Christchurch, N.Z. Seed-threshing machine	17211	5 Nov., 1903 ..	45	26 May.
Angus, A. R., and another, Neutral Bay, N.S.W. Enabling cars to travel over lines of varying gauge. (R. Massey)	18056	17 June ..	62	21 July.
Arnold, J., Milton, Q. Washing-machines	18029	13 June ..	62	21 July.
Arthur, W., Gisborne, N.Z. Cultivator	17871	30 April ..	45	26 May.*
Atkinson, H. D., Wellington, N.Z. Ink-well	17790	16 April ..	36	28 April.*
Baker, A. G., and others, Dunedin, N.Z. Shot-making machine ..	16303	1 May, 1903 ..	49	9 June.
Baker, A. G., Dunedin, N.Z. Machine for cutting material into strips	17618	2 Mar. ..	49	9 June.
Baker, A. G., Dunedin, N.Z. Door-lock	17965	26 May ..	49	9 June.*
Baker, A. S., Auckland, N.Z. Boot-tree	17809	21 April ..	42	12 May.*
Baker, A. S., Auckland, N.Z. Air-tight bottle	17767	9 April ..	49	9 June.*
Baldwin, E. S., and another, Wellington, N.Z. Making producer and water gas. (Power and Mining Machinery Company)	17961	26 May
Barker, O. H., and another, Peel Forest, N.Z. Hydraulic ram ..	18072	22 June ..	62	21 July.
Barker, W. E., and another, Peel Forest, N.Z. Hydraulic ram ..	18072	22 June ..	62	21 July.
Barnard, P. V., and another, Ballarat, Vic. Extraction of gold ..	17810	21 April
Bary, W., Taihape, N.Z. Envelope	18097	29 June ..	59	7 July.*
Bates, A., Leicester, Eng. (See United Shoe Machinery Company, No. 18018.)				
Batley, A. O. P., Moawhango, N.Z. Legging-fastener	18022	10 June
Battaglia-Guerrieri, A., Rome, Italy. Telegraphic transmitter ..	17824	25 April ..	49	9 June.
Bauckham, A. M., Ashhurst, N.Z. Clothes-line suspender	17926	19 May ..	49	9 June.*
Baudinet, G. W., and another, Observatory, Cape Colony. Explosive	17828	25 April ..	42	12 May.
Baxter, R., Milton, N.Z. Sash-fastener	16559	24 June, 1903 ..	42	12 May.
Beamish, W., Cromwell, N.Z. Boot-fastener	17792	14 April ..	42	12 May.*
Beamish, W., Cromwell, N.Z. Button-hole	17793	14 April ..	42	12 May.*
Beamish, W., Cromwell, N.Z. Shackle	17794	14 April ..	42	12 May.*
Beaven, A. W., and others, Christchurch, N.Z. Grass-seed cleaner	17743	6 April ..	42	12 May.
Beaven, A. W., and another, Christchurch, N.Z. Seed-threshing machine	17211	5 Nov., 1903 ..	45	26 May.
Belk, J. A., Feilding, N.Z. Candle-extinguisher	16573	30 June, 1903 ..	36	28 April.
Bergersen, C. A., Palmerston North, N.Z. Window-sash raiser and retainer	17104	15 Oct., 1903 ..	59	7 July.
Bergmann, E., Suhl, Germany. Friction-gear	17992	1 June ..	59	7 July.
Berry, G. W., Kensington, Vic. Closing filled tins	18047	16 June ..	54	23 June.*
Berry, G. W., Kensington, Vic. Keyless tearing-strip for tin ..	18049	16 June ..	54	23 June.*
Berry, G. W., Kensington, Vic. Tin vent	18048	16 June ..	54	23 June.*
Billing, A. F., and another, Auckland, N.Z. Advertising puzzle ..	17829	25 April ..	42	12 May.
Black, C. H., and another, Linwood, N.Z. Laundry iron-stand ..	18003	7 June ..	54	23 June.*
Bodycomb, B., Melbourne, Vic. Milking-apparatus. (W. H. Lawrence)	16676	24 July, 1903 ..	54	23 June.
Boll, P., Bendigo, Vic. Electro-magnetic appliance for curative purposes	17751	8 April ..	49	9 June.*
Bonsall, S. W., New York, U.S.A. Wardrobe	17950	25 May ..	54	23 June.
Borland, J. W., and another, Yarragon, Vic. Wire winder and strainer	17877	6 May ..	45	26 May.*
Boulton, T., Kirwee, N.Z. Fence	17912	17 May ..	45	26 May.*
Bradley, A. E., and another, Christchurch, N.Z. Pumping water ..	18102	30 June
Bradley, H. G., and another, Christchurch, N.Z. Pumping water ..	18102	30 June
Braun, H. C., Barnet, Eng. Telegraph apparatus	18064	21 June ..	62	21 July.*
Breach, W. G., and others, Doyleston, N.Z. Elevator-belt tension-regulator	17806	19 April ..	42	12 May.*
British Westinghouse Electric and Manufacturing Company, Limited, The, London, Eng. (See W. E. Hughes, Nos. 17599, 17872, 17619.)				

ALPHABETICAL LIST OF APPLICANTS FOR LETTERS PATENT—continued.

Name, Address, and Invention.	Application.		Gazette.	
	No.	Date.	No.	Date.
Broad, F., Sydney, N.S.W. (See F. H. W. Cowper, No. 17325.)				
Brooke-Smith, E., Auckland, N.Z. Engine exhaust-muffler ..	17849	28 April ..	45	26 May.*
Brown, F. C., and another, Komata, N.Z. Material circulator ..	17982	25 May ..	54	23 June.*
Brown, M., and another, Brown's, N.Z. Judging sawing events ..	18028	9 June ..	54	23 June.*
Brown, T., and another, Brown's, N.Z. Judging sawing events ..	18028	9 June ..	54	23 June.*
Brownley, A. H., Onehunga, N.Z. Eye-glass cord-winder ..	16544	22 June, 1903 ..	36	28 April.
Bruckner, A., Aix-la-Chapelle, Germany. (See P. R. Hudson, No. 17881.)				
Budge, G. S., Auckland, N.Z. Music leaf-turner ..	16781	11 Aug., 1903 ..	49	9 June.
Burt, A., Dunedin, N.Z. Cored cartridge-making machine ..	17756	8 April ..	36	28 April.*
Bussey, T. H., and another, Charters Towers, Q. Egg-beater ..	17720	31 Mar. ..	36	28 April.
Butchart, M. H., Prahran, Vic. Basket-cover ..	17852	29 April ..	45	26 May.*
Butler, C., Gisborne, N.Z. Washing-machine ..	17338	3 Dec., 1903 ..	54	23 June.
Cable, W., and another, Wellington, N.Z. Fire-bridge for steam-boiler	18051	16 June ..	59	7 July.*
Cameron, E. A., and another, Invercargill, N.Z. Travelling-race ..	17731	30 Mar. ..	36	28 April.*
Campbell, J., Christchurch, N.Z. Substitution of steel and iron for weatherboards	17985	30 May
Campbell, J. P., Wellington, N.Z. Electrical measuring-instrument. (F. Conrad)	17875	5 May ..	49	9 June.
Campbell, J. P., Wellington, N.Z. Mixing-valve for explosive engine. (L. A. Merkt)	17947	25 May ..	54	23 June.
Campbell, J. P., Wellington, N.Z. Electrical brush-holder. (R. Siegfried and C. B. Mills)	18016	9 June ..	59	7 July.
Campbell, J. P., Wellington, N.Z. Dynamo electric machine. (H. Chitty)	18068	21 June ..	62	21 July.
Campbell, J. P., Wellington, N.Z. Rotary electric machine. (H. Chitty)	18066	21 June ..	62	21 July.
Campbell, W. E., and another, Wanganui, N.Z. Driving-belt ..	18019	10 June ..	54	23 June.*
Campbell, W. E., and another, Wanganui, N.Z. Belting ..	17789	13 April
Card, F. S., and another, Denver, U.S.A. (See N. Guthridge, Limited, Nos. 17897, 17898, 17899.)				
Card, W. L., and another, Denver, U.S.A. (See N. Guthridge, Limited, Nos. 17897, 17898, 17899.)				
Carlaw, A. L., and others, Glasgow, Scotland. Numbering-machine	17997	1 June ..	59	7 July.
Carlaw, D., sen., and others, Glasgow, Scotland. Numbering-machine	17997	1 June ..	59	7 July.
Carlaw, D., jun., and others, Glasgow, Scotland. Numbering-machine	17997	1 June ..	59	7 July.
Carlaw, J. W., and others, Glasgow, Scotland. Numbering-machine	17997	1 June ..	59	7 July.
Carter, H., and another, Auckland, N.Z. Kauri-gum cleaner ..	17851	26 April ..	45	26 May.
Cartwright, G. J., Brisbane, Q. Burglar-alarm ..	17610	3 Mar. ..	36	28 April.*
Cartwright, G. J., Brisbane, Q. Smoke-consumer and fuel-economiser	17945	25 May ..	54	23 June.
Cavenaugh, R. W., New York, U.S.A. (See The Hygienic Soap Granulator Company, Limited, No. 17528.)				
Ceipek, N., Vienna, Austria. Explosive compound ..	17867	3 May ..	49	9 June.
Cheal, P. E., Auckland, N.Z. Self-fastening buckle ..	17761	7 April ..	36	28 April.*
Cheverton, G., and another, Hobart, Tas. Export-package	17887	9 May ..	49	9 June.*
Chitty, H., London, Eng. (See J. P. Campbell, Nos. 18063, 18066.)				
Christenson, A. L., Stockholm, Sweden. (See Aktiebolaget Sveaseparatorn, No. 17948.)				
Christie, A., Newcastle, N.S.W. Butter sizing and printing machine	18007	4 June ..	59	7 July.
Church, G. F., Lauriston, N.Z. Hedge-cutter knife ..	17015	23 Sept., 1903 ..	49	9 June.
Churchill-Otton, S., Melbourne, Vic. Telephone diaphragm ..	17723	31 Mar. ..	36	28 April.
Churchill-Otton, S., and another, Melbourne, Vic. Table-cricket ..	17837	27 April ..	42	12 May.*
Clare, S. F., Campbelltown, N.Z. Axe ..	17461	9 Jan. ..	45	26 May.
Clare, S. F., Campbelltown, N.Z. Axe ..	17903	4 May ..	54	23 June.
Clare, S. F., Gisborne, N.Z. Axe ..	17962	20 May ..	49	9 June.*
Clark, L., Hobsonville, N.Z. (See R. O. Clark, jun., No. 17932.)				
Clark, R. O., jun., Hobsonville, N.Z. Flanging drain-pipes. (L. Clark)	17932	17 May
Claussen, N. H., Copenhagen, Denmark. Manufacture of English beers	17771	13 April ..	42	12 May.
Clement, W. H., Ealing, N.Z. Water-race plough ..	18069	20 June ..	59	7 July.*
Coakley, J. J., and another, Geraldton, W.A. Expansible road-wheel	17603	2 Mar. ..	54	23 June.
Cobb, J. H., Christchurch, N.Z. Tobacco-plug holder and cutter. (J. Lloyd)	16291	29 April, 1903 ..	42	12 May.
Cohn, H., and another, London, Eng. Converting ironsand into briquettes	16978	16 Sept., 1903 ..	45	26 May.
Cole, G. L., Wellington, N.Z. Bottle sprinkler-attachment ..	16742	5 Aug., 1903 ..	45	26 May.
Coleman, C. W., Westfield, U.S.A. (See Hall Signal Company, No. 17917.)				
Conrad, F., Edgewood Park, U.S.A. (See J. P. Campbell, No. 17875.)				
Cook, (See Cornwall-Cook.)				
Coop, J., Kaituna, N.Z. Traversing feeder to sheep-dip ..	17908	14 May
Cooper, C., Mangatoki, N.Z. Milk-weigher ..	17288	25 Nov., 1903 ..	45	26 May.
Cooper, F., Christchurch, N.Z. Tip-wagon ..	17941	21 May ..	49	9 June.*
Cooper, F., Christchurch, N.Z. Loading road-trucks with metal ..	17942	21 May ..	49	9 June.*
Corbett, F. J., S. Yarra, Vic. (See E. Dugan, No. 17921.)				
Corin, H. M., and another, Auckland, N.Z. Socket-pipes	18090	25 June
Cornwall-Cook, E., Hawthorn, Vic. Ticket-puncher ..	17885	5 May ..	45	26 May.*
Coronel, A. S., Sydney, N.S.W. Window-furniture. (R. B. Wells)	17383	17 Dec., 1903 ..	36	28 April.
Cotton, F., Hornsby, N.S.W. Gas-furnace ..	16619	8 July, 1903 ..	42	12 May.

ALPHABETICAL LIST OF APPLICANTS FOR LETTERS PATENT—continued.

Name, Address, and Invention.	Application.		Gazette.	
	No.	Date.	No.	Date.
Coverdale, T., and another, Christchurch, N.Z. Latch-lock ..	17119	19 Oct., 1903 ..	54	23 June.
Cowley, J. T., Boston, U.S.A. (See Planters' Compress Company, No. 17766.)				
Cowper, F. H. W., Wellington, N.Z. Coat-suspender. (F. Broad)..	17825	25 April ..	42	12 May.*
Crook, W. R., Auckland, N.Z. Tire-cover ..	17963	21 May ..	54	23 June.*
Croxford, C., and others, Dunedin, N.Z. Shot-making machine ..	16303	1 May, 1903 ..	49	9 June.
Croxford, G., and others, Dunedin, N.Z. Shot-making machine ..	16303	1 May, 1903 ..	49	9 June.
Currie, A., Springhills, N.Z. Post-hole borer ..	16916	4 Sept., 1903 ..	54	23 June.
Dall, W., Dunedin, N.Z. Voting-register ..	18111	30 June ..	62	21 July.*
Daniel, A. J., and another, Petone, N.Z. Treating offal ..	17797	18 April ..	42	12 May.*
Davidson, D. P., Pahiatua, N.Z. Milk-weighing machine ..	17999	7 June ..	54	23 June.*
Davidson, J. B. R., and another, Yarragon, Vic. Wire winder and strainer	17877	6 May ..	45	26 May.*
Davies, J., Auckland, N.Z. Apparatus for putting down concrete beneath water	18058	18 June ..	59	7 July.*
Davis, F., Melbourne, Vic. (See N. Hill, No. 17635.)				
Davis, W., Te Aroha, N.Z. Table-cricket ..	18024	8 June ..	54	23 June.*
Day, S. H., Waverley, N.Z. Bucket-handle ..	17652	14 Mar. ..	36	28 April.*
Day, S. H., Waverley, N.Z. Wool-skein holder ..	18060	21 June ..	62	21 July.*
Dean, T. M., and another, Purau, N.Z. Flooring-cramp ..	17831	25 April ..	42	12 May.*
De la Haye, P. J., New Plymouth, N.Z. Bicycle-stand ..	18108	28 June
De Lisle, De B. and another, Gisborne, N.Z. Branding-composition	17464	18 Jan. ..	45	26 May.
Dennison, F. R., Oamaru, N.Z. Seed-separating machine ..	17815	21 April ..	45	26 May.
Deutsch, I., Montreal, Canada. (See Electric and Train-lighting Syndicate, Limited, Nos. 17951, 17952, 17953.)				
Devereux, W. E., Christchurch, N.Z. Cow-cover ..	18033	13 June ..	54	23 June.*
Devine, P. J., Yarragon, Vic. Pig-trough ..	18095	24 June ..	59	7 July.*
Dewhurst, A. S., Horoeka, N.Z. Brooch-pin ..	16833	21 Aug., 1903..	59	7 July.
Dickason, J., Apollo Bay, Vic. Cycle-driving gear ..	17758	8 April ..	42	12 May.
Divine, A., New Plymouth, N.Z. Advertising-exhibitor and newspaper-file	17964	25 May
Douglas, J. D., Auckland, N.Z. Dredging machinery ..	17879	3 May ..	45	26 May.*
Dovalosky, F., Invercargill, N.Z. Hairpin ..	17927	17 May ..	49	9 June.*
Dovalosky, F., Invercargill, N.Z. Hairpin ..	18105	28 June ..	59	7 July.*
Droutledge, H., and another, Auckland, N.Z. Advertising	17820	20 April
Duffy, C. J., Sydenham, N.Z. Billiard-table ..	16690	27 July, 1903 ..	45	26 May.
Dugan, E., S. Yarra, Vic. Power-transmitting mechanism. (F. J. Corbett)	17921	19 May ..	49	9 June.*
Duncan, Limited, P. and D., Christchurch, N.Z. Wagon. (J. Keir)	18042	14 June ..	54	23 June.*
Dunlop, M. P., and another, Malvern, Vic. Table-cricket ..	17837	27 April ..	42	12 May.*
Dunn, B. F., Auckland, N.Z. Scouring river-bottoms ..	17900	11 May ..	45	26 May.*
Dunn, D., Oamaru, N.Z. Wheel-jack ..	18061	21 June
Dunne, R., Dunedin, N.Z. Non-refillable bottle ..	17967	23 May ..	49	9 June.*
Dunne, R., Dunedin, N.Z. Mitre-cutter bar and stop ..	16662	16 July, 1903 ..	54	23 June.
Dunstan, J., and another, Auckland, N.Z. Method of advertising..	18109	29 June
Dutch, W. A. J., Wellington, N.Z. Milk-pasteuriser ..	17969	30 May ..	49	9 June.*
Eckersley, A. J. L., Melbourne, Vic. High-pressure reservoir-controller	17721	31 Mar. ..	36	28 April.
Eckersley, J., and another, Wellington, N.Z. Fire-bridge for steam-boiler	18051	16 June ..	59	7 July.*
Eddy, P., Mangere, N.Z. Hedge-clipper ..	17994	1 June
Eggleton, A. J., Dunedin, N.Z. Flower-pot..	17858	25 April ..	45	26 May.
Electric and Train-lighting Syndicate, Limited, Montreal, Canada. Dynamo. (I. Deutsch)	17951	25 May
Electric and Train-lighting Syndicate, Limited, Montreal, Canada. Electric-machine brush-holder. (I. Deutsch)	17952	25 May
Electric and Train-lighting Syndicate, Limited, Montreal, Canada. Voltage-controller (I. Deutsch)	17953	25 May
Elers, K. F., Pittsburg, U.S.A. (See J. T. Hunter, No. 18015.)				
Elvines, F., and another, Wellington, N.Z. Non-siltable mat ..	17889	10 May ..	45	26 May.*
Emling, W., and another, St. Louis, U.S.A. Pulley driving-gear ..	17949	25 May ..	54	23 June.
Evans, J. J., and another, Mititai, N.Z. Kauri-gum cleaner ..	17851	26 April ..	45	26 May.
Fahy, J., Balmain, N.S.W. Explosive compound ..	17954	25 May ..	49	9 June.*
Farley, W. J., and others, Perth, W.A. Reversible rotary-engine ..	18078	23 June ..	62	21 July.
Faulkner, J. W., and others, Dunedin, N.Z. Life-saving attachment for tram car	17929	16 May ..	49	9 June.*
Faulkner, J. S., and others, Dunedin, N.Z. Life-saving attachment for tram-car	17929	16 May ..	49	9 June.*
Faulkner, W. H., and others, Dunedin, N.Z. Life-saving attachment for tram-car	17929	16 May ..	49	9 June.*
Featou, E. H., Gisborne, N.Z. Torpedo-boat armour ..	18055	17 June ..	59	7 July.*
Fenwick, F., and another, East Oxford, N.Z. Wire-coiler ..	16830	21 Aug. ..	45	26 May.
Fenwick, R., and another, East Oxford, N.Z. Wire-coiler ..	16830	21 Aug., 1903..	45	26 May.
Field, E., London, Eng. (See The New Century Engine (Foreign Patents) Company, Limited, No. 17769.)				
Flambo, La. (See under L.)				
Flood, E. T., Wellington, N.Z. Fire-kindler ..	17987	1 June ..	54	23 June.*
Foley, M., and another, Auckland, N.Z. Advertising ..	17820	20 April
Ford, A. W., Tallangatta, Vic. Table-football ..	18035	15 June ..	54	23 June.*
Forsberg, E. A., and another, Stockholm, Sweden. Link-blade liner	17843	27 April ..	45	26 May.
Fowler, G. H., Aylesbury, N.Z. Bird trap ..	17816	21 April ..	42	12 May.*
Fowler, J. W., Whangarei Heads, N.Z. Electric sock ..	18017	9 June ..	54	23 June.*
Fox, G., and another, London, Eng. Manufacture of bricks ..	17270	19 Nov., 1903..	36	28 April.
Fox, J. C., London, Eng. (See The Morgan Crucible Company, Limited, Nos. 17776, 17777.)				
Fraser, W. G., Dunedin, N.Z. Life-guard for trams, &c. ..	17759	8 April ..	36	28 April.*

ALPHABETICAL LIST OF APPLICANTS FOR LETTERS PATENT—continued.

Name, Address, and Invention.	Application.		Gazette.	
	No.	Date.	No.	Date.
Frasier, W., Lynn, U.S.A. (See United Shoe Machinery Company, No. 17835.)				
Frengley, J. P., Auckland, N.Z. Sewage-distributor ..	17782	14 April ..	36	28 April.*
Frengley, J. P., Auckland, N.Z. Treatment of sewage ..	18081	24 June ..	59	7 July.*
Fry, H. A., Riwaka, N.Z. Teaching young calves to drink ..	17865	18 May ..	45	26 May.*
Fussell, J., and others, Doyleston, N.Z. Elevator-belt tension-regulator	17806	19 April ..	42	12 May.*
Gallagher, J., Auckland, N.Z. Temperature-indicator and fire-alarm	17996	4 June
Gardiner, F. W., Wellington, N.Z. Piano-attachment ..	17870	4 May
Garland, T., Wellington, N.Z. Boot-and-shoe display-bracket (H. L. Mence)	17976	31 May ..	49	9 June.*
Gare, T., New Brighton, Eng. Wheel for vehicle-pulley ..	17989	1 June ..	59	7 July.
Gavin, P., Matahika Station, N.Z. Window-fastener ..	16545	2 June, 1903..	42	12 May.
Gentles, H. J., Auckland, N.Z. Wash-up mop ..	16859	26 Aug., 1903..	54	23 June.
Georgetti, A., Wanganui, N.Z. Fencing-dropper ..	17772	13 April ..	36	28 April.*
Gillies, A. W., Georgetown, N.Z. Shifting spanner ..	18083	24 June ..	59	7 July.*
Gillow, E., Westport, N.Z. Drawing-board, easel, and T-square ..	16969	12 Sept., 1903..	54	23 June.
Gilruth, J. A., Wellington, N.Z. Production of lactic fermentation	17940	23 May ..	49	9 June.*
Goddu, G., Winchester, U.S.A. (See United Shoe Machinery Company, No. 17922.)				
Gordon, F. E. A., Bluff, N.Z. (See E. D. Richards, No. 17898.)				
Gordon, W., and another, Boston, U.S.A. (See United Shoe Machinery Company, No. 17841.)				
Gough, F., German Creek, N.Z. Milk-strainer ..	16820	19 Aug., 1903..	45	26 May.
Grace, G. A., Ballarat East, Vic. Obtaining address-slips ..	17811	21 April ..	42	12 May.*
Grainger, A., Taihape, N.Z. Destroying noxious weeds ..	17901	11 May ..	45	26 May.*
Grave, W. G., Oamaru, N.Z. Securing animal-cover ..	18101	30 June
Gray, J., Dunedin, N.Z. Seed-sower ..	16528	19 June, 1903..	49	9 June.
Gray, J., Dunedin, N.Z. Seed-sower ..	17968	30 May ..	54	23 June.
Gray, W., Whakapara, N.Z. Monkey-wrench ..	18094	28 June
Greatrex and Son, C., Walsall, Eng. (See A. Little, No. 17812.)				
Green, W., Tamworth, N.S.W. Drawing-board ..	17808	21 April ..	42	12 May.
Greig, W. C., and another, Wellington, N.Z. Paper bag. (J. Laird and Sons)	17913	17 May
Grimmer, G., Auckland, N.Z. Spark-arrester ..	18089	27 June ..	59	7 July.*
Gröndal, G., Djursholm, Sweden. Cement-burning furnace ..	17842	27 April ..	45	26 May.
Grosvenor, C., Auckland, N.Z. Making paper fireproof ..	18014	6 June ..	54	23 June.*
Grundy, A. O., Onehunga, N.Z. Thimble ..	17804	19 April ..	42	12 May.*
Gruss, W. J., Kalgoorlie, W.A. Vaginal syringe ..	17781	14 April ..	42	12 May.
Guerrieri. (See Battaglia-Guerrieri.)				
Gunthorp, H., Dunedin, N.Z. Inhaling anaesthetics ..	16508	15 June, 1903..	36	28 April.
Guthridge (Limited), N., Melbourne, Vic. Ore-concentrator. (W. L. and F. S. Card)	17899	11 May ..	45	26 May.*
Guthridge (Limited), N., Melbourne, Vic. Ore-concentrator. (W. L. and F. S. Card)	17897	11 May ..	49	9 June.
Guthridge (Limited), N., Melbourne, Vic. Ore-concentrator. (W. L. and F. S. Card)	17898	11 May ..	49	9 June.
Hadaway, J. B., Brockton, U.S.A. (See United Shoe Machinery Company, No. 17840.)				
Haigh, T. G., and another, Linwood, N.Z. Laundry iron-stand ..	18003	7 June ..	54	23 June.*
Hale, W., Melbourne, Vic. Go-cart ..	17719	31 Mar. ..	36	28 April.
Hall Signal Company, New York, U.S.A. Signal-apparatus. (C. W. Coleman)	17917	18 May ..	54	23 June.
Hall, T., and another, Wellington, N.Z. Non-siltable mat ..	17889	10 May ..	45	26 May.*
Hammerich, F. C. H., Onehunga, N.Z. Actuating roundabout ..	17765	12 April ..	36	28 April.*
Hancox, W. G., Petone, N.Z. Tin-handle ..	16374	19 May, 1903 ..	36	28 April.
Hannay, J. B., Loch Long, N.B. Anti-fouling composition for ships	18036	15 June
Harding and Billing, Auckland, N.Z. (See H. T. Harding and A. F. Billing, No. 17829.)				
Harding, H. T., and another, Auckland, N.Z. Advertising puzzle ..	17829	25 April ..	42	12 May.
Harding, J. M., Auckland, N.Z. Water-tube furnace ..	17700	23 Mar. ..	36	28 April.*
Hardley, J. W., and another, Hamilton, N.Z. (See J. T. Hunter, No. 17978.)				
Hardley, S., and another, Hamilton, N.Z. (See J. T. Hunter, No. 17978.)				
Hardy, A. R., Dunedin, N.Z. Grate ..	17784	12 April ..	36	28 April.*
Hardy, A. R., Dunedin, N.Z. Sash mover lock and alarm ..	17785	12 April ..	36	28 April.*
Hardy, A. R., and another, Dunedin, N.Z. Sash-mover and lock ..	17786	12 April ..	36	28 April.*
Hare, P. R., and another, Bromley, Eng. Fermentation of liquids	17795	14 April
Harkins, T., Auckland, N.Z. Tin bottom and top fixer ..	17850	26 April ..	45	26 May.
Harrington, N. T., Detroit, U.S.A. (See Old's Motor Works, No. 18023.)				
Harris, J., and another, Purau, N.Z. Flooring-cramp ..	17831	25 April ..	42	12 May.*
Harris, J. T., Invercargill, N.Z. Boot-lace fastening ..	17914	12 May ..	45	26 May.*
Harrison, H., Christchurch, N.Z. Jig-saw machine ..	17939	21 May ..	49	9 June.*
Harrison, J. H., and another, North Melbourne, Vic. Hand-shears	17894	11 May ..	45	26 May.*
Harrison, P., Terang, Vic. Horse-rug fastening ..	17750	6 April ..	31	14 April.*
Harvey, R. W., Invercargill, N.Z. Preserving timber ..	17678	18 Mar. ..	49	9 June.*
Haxton, W. A., Carterton, N.Z. Milk-cooler ..	16581	3 July, 1903 ..	36	28 April.
Hay, J. B., and another, Petone, N.Z. Treating offal ..	17797	18 April ..	42	12 May.*
Hay, J. K., Palmerston North, N.Z. Clothes-horse ..	18040	15 June
Haye, de la. (See under D.)				
Hill, N., Auckland, N.Z. Wire-mattress holder. (F. Davis) ..	17635	5 Mar. ..	36	28 April.*

ALPHABETICAL LIST OF APPLICANTS FOR LETTERS PATENT—*continued.*

Name, Address, and Invention.	Application.		Gazette.	
	No.	Date.	No.	Date.
Hinchey, W., Waiau, N.Z. Hair-curler	18080	23 June ..	59	7 July.*
Hodge, J. H., and another, Sydney, N.S.W. Fire-extinguisher ..	17807	20 April ..	45	26 May.
Hogan, M., Wanganui, N.Z. Bicycle-stand	17791	15 April
Holford, G., Auckland, N.Z. Trouser-stretcher	16704	29 July, 1903 ..	45	26 May.
Hooke, C., Wellington, N.Z. Candle-extinguisher	17587	8 April ..	36	28 April.*
Hooper, E., Dunedin, N.Z. Easel attachment to desk	17943	23 May ..	54	23 June.
Horrocks, L. B., Wellington, N.Z. Window-sustainer	17774	13 April ..	42	12 May.*
Hoverd, H., and another, Auckland, N.Z. Stay for keeping trunk-lid open	17780	11 April ..	36	28 April.*
Hoverd, H., and another, Auckland, N.Z. Fire-cover	17933	17 May ..	49	9 June.*
Howard, J., Chatswood, N.S.W. Machine-shears	17836	27 April ..	45	26 May.
Howeroft, J., Moonee Ponds, Vic. Machine milking-appliance ..	17863	2 May ..	45	26 May.*
Hubbard, C. R., Waipori, N.Z. Gold-saving matting	17854	25 April ..	42	12 May.*
Hudson, P. R., Sydney, N.S.W. Construction of walls. (A. Bruckner)	17881	7 May ..	45	26 May.*
Hughes, W. E., Wellington, N.Z. Turbine. (G. Westinghouse) ..	17778	14 April ..	42	12 May.
Hughes, W. E., Wellington, N.Z. Cooling-apparatus. (M. Leblanc)	17844	27 April ..	45	26 May.
Hughes, W. E., Wellington, N.Z. Friction gearing. (Nurnberger Motor-Fahrzeuge Fabrik "Union" G.m.b.H.—L. Maurer)	16719	31 July, 1903 ..	49	9 June.
Hughes, W. E., Wellington, N.Z. Friction gearing. (Nurnberger Motor-Fahrzeuge Fabrik "Union" G.m.b.H.—L. Maurer)	16720	31 July, 1903 ..	49	9 June.
Hughes, W. E., Wellington, N.Z. Electrical distribution. (The British Westinghouse Electric and Manufacturing Company, Limited—P. M. Lincoln)	17599	2 Mar. ..	49	9 June.
Hughes, W. E., Wellington, N.Z. Apparatus for varying voltage of alternating currents. (The British Westinghouse Electric and Manufacturing Company, Limited—H. R. Stuart)	17872	4 May ..	49	9 June.
Hughes, W. E., Wellington, N.Z. Electrical distribution. (The British Westinghouse Electric and Manufacturing Company, Limited—J. S. Peck)	17619	5 Mar. ..	54	23 June.
Hunter, J. T., Wellington, N.Z. Securing cover of night-soil pan. (J. W. and S. Hardley)	17978	31 May ..	49	9 June.*
Hunter, J. T., Wellington, N.Z. Combustion-engine igniter. (C. Regenbogen and E. Ruud)	18041	15 June ..	62	21 July.
Hunter, J. T., Wellington, N.Z. Electric-generator current-collector. (K. F. Elers)	18015	9 June ..	59	7 July.
Hutcheson, J., and others, Wellington, N.Z. Releasing snatch-block	17904	12 May
Hutchinson, F. J. S., Charters Towers, Q. Cleansing fluid ..	17728	5 April ..	49	9 June.
Hygienic Soap Granulator Company, Limited, The London, England. Soap-mould. (R. W. Cavenaugh)	17828	9 Feb. ..	49	9 June.
Imbert, A. H., Grand-Montrouge, France. Extracting zinc and lead	18112	30 June
Irving, R., and another, Carlton, Vic. Acetylene-generator ..	18075	23 June ..	59	7 July.*
Jack, A., and another, Wellington, N.Z. Combined ball-cock and stop-valve	17834	27 April ..	42	12 May.*
Jackson, A. G., Brisbane, Q. Balance window-sash	18062	16 June
Jaehn, C. F., and another, St. Louis, U.S.A. Pulley-driving gear ..	17949	25 May ..	54	23 June.
Jagusch, F. O. R., Auckland, N.Z. Carpet-beater	17803	15 April ..	42	12 May.
James, H. G., Dulwich, Eng. Lamp-wick	18037	15 June ..	54	23 June.*
James, R., Ashhurst, N.Z. Cooking-appliance	16755	6 Aug., 1903 ..	49	9 June.
Jamison, J., Dunedin, N.Z. Sash-adjuster	17859	26 April ..	45	26 May.
Jamison, J., Dunedin, N.Z. Lift-door and life-saving apparatus ..	17880	3 May ..	49	9 June.
Jamison, J., Dunedin, N.Z. Reading desk and table	17930	16 May ..	54	23 June.
Jankins, C. V., Lower Hutt, N.Z. Producing optical effects ..	17745	7 April ..	31	14 April.*
Jerger, H., and another, Burnie, Tas. Feeding-funnel	17873	2 May
Johanson, E., and another, Kumara, N.Z. Vehicle-bearing ..	17925	19 May ..	49	9 June.
Johanson, C., and another, Kumara, N.Z. Vehicle-bearing ..	17925	19 May ..	49	9 June.
Johns, E., and another, Auckland, N.Z. Nightsoil and refuse pan ..	18086	23 June ..	59	7 July.*
Johnson, G., and another, Bromley, Eng. Fermentation of liquids	17795	4 May, 1903†
Johnson, J. T., and another, Battery Point, Tas. Export-package ..	17887	9 May ..	49	9 June.*
Johnson, W., and another, Wellington, N.Z. Building-cornice ..	17861	30 April ..	45	26 May.*
Jones, H., Ascot Vale, Vic. Ore-crusher	16797	14 Aug., 1903 ..	49	9 June.
Jones, G. S., Oamaru, N.Z. Envelope	17847	26 April
Joyce, A., and another, Sydney, N.S.W. Feeding-funnel	17873	2 May
Kahlenberg, P., Dunedin, N.Z. Umbrella-tip retainer	16605	6 July, 1903 ..	42	12 May.
Keir, J., Sydenham, N.Z. (See P. and D. Duncan, Limited, No. 18042.)				
Keith, J. S., and others, Wellington, N.Z. Releasing snatch-block	17904	12 May
Kelly, J. D., Wellington, N.Z. (See M. A. E. Kelly, No. 17747.)				
Kelly, M. A. E., Wellington, N.Z. Tobacco-pipe cleaning-apparatus. (J. D. Kelly)	17747	8 April ..	36	28 April.*
Kendrick, T., Dunedin, N.Z. Hand-truck	17821	21 April ..	42	12 May.*
Kennedy, C., Hobart, Tas. Box	17823	25 April ..	42	12 May.*
Keogh, W. T., Dunedin, N.Z. Urn	18013	4 June ..	54	23 June.*
Kidd, C. C., and another, Spring Hills, N.Z. Ditch-plough ..	16813	14 Aug., 1903 ..	49	9 June.
Kilckmann, A., and another, Wellington, N.Z. Gambrel	17796	18 April ..	45	26 May.*
Kilkelly, P., and another, Grove Bush, N.Z. Ditch-plough ..	16813	14 Aug., 1903 ..	49	9 June.
Kilkelly, T., and another, Grove Bush, N.Z. Belt-fastener ..	16810	14 Aug., 1903 ..	59	7 July.
Kilkelly, M. J., and another, Grove Bush, N.Z. Belt-fastener ..	16810	14 Aug., 1903 ..	59	7 July.
King, J., Ashhurst, N.Z. Non-refillable bottle	17833	27 April ..	42	12 May.*
King, J., and another, Ashhurst, N.Z. Washer	17884	7 May ..	49	9 June.*
King, J. H., Sydney, N.S.W. Massage apparatus. (J. C. Oakman—L. Synder)	17895	11 May ..	49	9 June.

ALPHABETICAL LIST OF APPLICANTS FOR LETTERS PATENT—*continued.*

Name, Address, and Invention.	Application.		Gazette.	
	No.	Date.	No.	Date.
La Flamboy, H. C., Detroit, U.S.A. Match-making machine ..	17770	13 April ..	45	26 May.
Laird and Sons, J., Glasgow, Scotland. (See E. G. F. Zohrab and W. C. Greig, No. 17913.)				
Lajoie, J. P., Paris, France. Motor	17516	2 Feb. ..	45	26 May.
Lamp Manufacturing Company, Limited, The London, Eng. Lantern. (W. H. I. Welch)	17928	17 May ..	49	9 June.
Langevad, V. A., Dunedin, N.Z. Book-holder	18104	27 June ..	59	7 July.*
Lappan, A., Annandale, N.S.W. Riding-saddle	16866	27 Aug., 1903..	49	9 June.
Larke, J. S., Sydney, N.S.W. Book-holder	17918	12 May ..	49	9 June.
Lathey, H. F., and another, Dunedin, N.Z. Bracket ..	16564	26 June, 1903	36	28 April.
Laughler, H. M., and another, Sydney, N.S.W. Enabling cars to travel over lines of varying gauges. (R. Massey)	18056	17 June ..	62	21 July.
Lawrence, W. H., Glasgow, Scotland. (See B. Bodycomb, No. 16676.)				
Lawrence, F., and another, Melbourne, Vic. Acetylene-generator ..	18075	23 June ..	59	7 July.*
Leblanc, M., Paris, France. (See W. E. Hughes, No. 17844.)				
Lightband, H., Christchurch, N.Z. Tire-cover	17548	17 Feb. ..	45	26 May.
Lincoln, P. M., Pittsburg, U.S.A. (See W. E. Hughes, No. 17599.)				
Lindsay, A. J., Hobsonville, N.Z. Flanging pipes	18057	18 June ..	59	7 July.*
Lindsay, J., Dunedin, N.Z. Dust, &c., excluder for door ..	16651	17 July, 1903 ..	59	7 July.
Linke, J. F., and another, Yellangip, Vic. Disc-plough ..	17717	31 Mar. ..	42	12 May.
Lisle. (See de Lisle.)				
Little, A., Wellington, N.Z. Saddle. (C. Greatrex and Son, Limited)	17812	21 April ..	42	12 May.*
Ljungström, B., and another, Stockholm, Sweden. Link-blade liner	17843	27 April ..	45	26 May.
Lloyd, J., Westport, N.Z. (See J. H. Cobb, No. 16291.)				
Lobnitz, F., Renfrew, Scotland. Dredger	17802	16 April ..	45	26 May.
Lowthen, W. H., and another, Noble Estate, Q. Totalisator ..	17974	31 May ..	49	9 June.*
Lowthen, W. H., and another, Noble Estate, Q. Totalisator ..	17975	31 May
Lund, J. G. F., Christiania, Norway. Flooring	17741	6 April ..	42	12 May.
Luttrell, E. V., and another, Gisborne, N.Z. Branding-composition	17464	18 Jan. ..	45	26 May.
Macalister, J., Invercargill, N.Z. Engine-tractor and chaff cutter and bagger	18073	17 June ..	59	7 July.*
Macalister, J., Invercargill, N.Z. Tractor and chaff cutter and bagger combined	17762	6 April ..	42	12 May.*
Mackay, W., and another, Dunedin, N.Z. Flax treating	17906	11 May ..	45	26 May.*
Mackie, J. H., Auckland, N.Z. (See G. R. Ogle, No. 16562.)				
Madden, W., and another, Auckland, N.Z. Stay for keeping trunk-lid open	17780	11 April ..	36	28 April.*
Mainland, H. L., Burkes, N.Z. Gold-dredging appliance ..	17998	2 June ..	59	7 July.
Manning, E. W., and another, Auckland, N.Z. Method of advertising	18109	29 June
Manson, H. J., Palmerston North, N.Z. Tramway-door	16611	10 July, 1903 ..	49	9 June.
Mapp, T. H., Sydney, N.S.W. Treating forage	17734	5 April ..	36	28 April.
Mapp, T. H., Sydney, N.S.W. Hydraulic-press	17735	5 April ..	42	12 May.
Marks, L., New Plymouth, N.Z. Trouser stiffener	17763	11 April ..	42	12 May.
Marsh, R. F., East Maitland, N.S.W. Washing-machine ..	17988	1 June
Martin, W. E., Stamford Baron, Eng. Hay-turner	17866	8 June, 1903†	49	9 June.
Massey, R., Sydney, N.S.W. (See A. R. Angus and H. M. Laughler, No. 18056.)				
Masters, A., and another, Invercargill, N.Z. Preparation for destroying white-pine grub	18001	7 June ..	59	7 July.
Maurer, L., Nuremberg, Germany. (See W. E. Hughes, Nos. 16719, 16720.)				
May, E. G., St. Auburns, N.Z. Door-holder	17979	31 May ..	62	21 July.
May, T. W., Auckland, N.Z. Flush-tap	16600	8 July, 1903..	45	26 May.
May, T. W., Auckland, N.Z. Flusher	17944	19 May ..	49	9 June.*
Mayo, B. F., Salem, U.S.A. (See United Shoe Machinery Company, No. 17839.)				
McCallum, A. C., and another, Perth, W.A. Expansile road-wheel	17603	2 Mar. ..	54	23 June.
McClellan Arms and Ordnance Company, Cleveland, U.S.A. Counteracting recoil in gun. (S. N. McClean)	17801	19 April ..	45	26 May.
McClellan, S. N., Cleveland, U.S.A. (See McClellan Arms and Ordnance Company, No. 17801.)				
McClure, H., Drummond, Vic. Culinary utensil	17737	6 April ..	42	12 May.
McCombs, J., Christchurch, N.Z. Fountain-pen	18004	6 June ..	54	23 June.*
McDonald, A. M., Wellington, N.Z. Prevention of stopping in tobacco-pipe	18088	27 June ..	59	7 July.*
McDonald, R. J., Devonport, N.Z. Manufacturing of boots and shoes	18082	24 June ..	59	7 July.*
McDonald, T., Lumsden, N.Z. Revolving skim-coulter.. ..	17936	18 May ..	49	9 June.*
McDougall, F., Wellington, N.Z. Potato-harvester	17742	6 April ..	31	14 April.*
McFeely, R. F., Beverly, U.S.A. (See United Shoe Machinery Company, No. 16817.)				
McGillivray, R., jun., Oamaru, N.Z. Fencing-standard ..	18005	2 June ..	59	7 July.*
Mellwrick, W. M., and another, Melbourne, Vic. Hand-shears ..	17894	11 May ..	45	26 May.*
McKenzie, D., Auckland, N.Z. Wire-woven mattress	17931	17 May ..	49	9 June.*
McKinnin, K. S., Collingwood, N.Z. Hat-pin retainer	17876	6 May ..	45	26 May.*
McLeod, A., Wellington, N.Z. Diving-dress.. ..	17910	16 May ..	45	26 May.*
McLeod, M. E., Sale, Vic. Dress-chart	16183	4 April, 1903	59	7 July.
McMiken, S. D., and another, Komata, N.Z. Material-circulator..	17982	25 May ..	54	23 June.*
McMullen, G., Perth, W.A. Collapsible shutter	17832	27 April ..	42	12 May.
McMurrich, D., Wellington, N.Z. Fire-bar	17853	29 April ..	45	26 May.
McPharlin, A. J., Auckland, N.Z. Gum-catching apparatus ..	16879	28 Aug., 1903..	36	28 April.
McPharlin, A. J., Auckland, N.Z. Kauri-gum bag	17059	3 Oct., 1903 ..	36	28 April.
McQueen, J., and others, Dunedin, N.Z. Shot-making machine ..	16303	1 May, 1903 ..	49	9 June.
Meek, J., Dunedin, N.Z. Vehicle safety-appliance	17755	7 April ..	36	28 April.*
Meinung, H. M., Dunedin, N.Z. Tidal-water power-generator ..	17814	21 April ..	54	23 June.

ALPHABETICAL LIST OF APPLICANTS FOR LETTERS PATENT—*continued*.

Name, Address, and Invention.	Application.		Gazette.	
	No.	Date.	No.	Date.
Melton, B. W. M., Waimate, N.Z. Supporting catamenial sac ..	17775	12 April ..	36	28 April.*
Mence, H. L., Wellington, N.Z. (See T. Garland, No. 17976.)				
Merkt, L. A., London, Eng. (See J. P. Campbell, No. 17947.)				
Merrett, J. A., Wellington, N.Z. Cylinder-dryer ..	17638	9 Mar. ..	36	28 April.
Merrett, J. A., Wellington, N.Z. Door-hinge ..	18052	16 June ..	62	21 July.
Mills, C. B., and another, Wilksburg, U.S.A. (See J. P. Campbell, No. 18016.)				
Mintrom, S., Woolston, N.Z. Dried-fruit cleaner ..	17827	25 April ..	42	12 May.*
Mitchell, H. E., Maungatua, N.Z. Mattress ..	17937	18 May
Mole, A., Fordsburg, Transvaal. Window-sash hanger ..	17715	31 Mar. ..	54	23 June.
Montgomery, H. H., and another, Invercargill, N.Z. Preparation for destroying grubs	18001	7 June ..	59	7 July.
Moore, G., New York, U.S.A. Filter ..	18099	30 June ..	62	21 July.
Morgan Crucible Company, Limited, The, London, Eng. Muffle. (J. C. Fox)	17776	14 April ..	42	12 May.
Morgan Crucible Company, Limited, The, London, Eng. Cupel. (J. C. Fox)	17777	14 April ..	42	12 May.
Morgan, J., Oamaru, N.Z. Attaching traces to whipple-trees ..	18067	21 June ..	59	7 July.*
Morgan, G., Dunedin, N.Z. Book-holder ..	18085	22 June ..	59	7 July.*
Morris, A., Clinton, N.Z. Waterproof dubbin ..	17830	25 April ..	45	26 May.*
Morris, T., Dunedin, N.Z. Fixing advertisement on shelf ..	17787	12 April ..	36	28 April.*
Morris, T., Dunedin, N.Z. Rainproof coat ..	17788	12 April ..	36	28 April.*
Morrison, J., Dunedin, N.Z. Insole ..	17878	30 April ..	45	26 May.*
Morrison, H. B., Singleton, N.S.W. Boot-heel ..	18074	23 June ..	62	21 July.*
Moss, E., Christchurch, N.Z. Coin-freed-operated machine ..	17862	29 April ..	42	12 May.*
Moss, E., Christchurch, N.Z. Coin-freed franking or stamping machine	18070	20 June ..	59	7 July.*
Mylin, A. H., and another, Lancaster, U.S.A. (See White-Mylin Furnace Company, No. 17800.)				
Nash, T. A., Christchurch, N.Z. Preventing guttering of candles ..	17826	25 April ..	42	12 May.*
Nelken, L., Melbourne, Vic. Heel-pad ..	17869	29 April ..	49	9 June.
New Century Engine (Foreign Patents) Company, Limited, The London, Eng. Engine-generator. (E. Field)	17769	13 April ..	45	26 May.
Newman, G. F., Peel Forest, N.Z. Harness-traces ..	18002	7 June
Nicholson, S., and another, Gore, N.Z. Tire ..	17909	16 May ..	45	26 May.*
Nicholson, S., Gore, N.Z. Spark-arrester and smoke-consumer ..	18012	8 June ..	54	23 June.*
Nikander, M., Christchurch, N.Z. Appliances for use by young children	18087	24 June
Noack, M. S., and another, Hopevale, Vic. Disc-plough ..	17717	31 Mar. ..	42	12 May.
Nolan, W. P., Port Chalmers, N.Z. Ticket-dater ..	16212	6 April, 1903	45	26 May.
Normanby, A. M., Dunedin, N.Z. Ladies' protector ..	17934	18 May ..	49	9 June.*
North, T. M., Altrincham, Eng. Printing-machine ..	17845	15 May, 1903†	62	21 July.
Nurnberger Motor Fahrzeng-Fabrik "Union," G.M.b.H., Nuremberg, Germany. (See W. E. Hughes, Nos. 16719 and 16720)				
Oakman, J. C., New York, U.S.A. (See J. H. King, No. 17895.)				
Ogle, G. R., Auckland, N.Z. Draught and dust excluder. (J. H. Mackie)	16562	25 June, 1903	36	28 April.
Olden, O. L., and another, Ballarat, Vic. Extraction of gold ..	17810	21 April
Olds Motor Works, Detroit, U.S.A. Motor-vehicle. (N. T. Harrington)	18023	8 June ..	62	21 July.
Orwin, R., and another, Wellington, N.Z. Combined ball-cock and stop-valve	17834	27 April ..	42	12 May.*
Osborn, W., and another, Christchurch, N.Z. Window-sash lift ..	17883	6 May ..	49	9 June.*
Otto, C., and another, Dunedin, N.Z. Box ..	16307	2 May, 1903	36	28 April.
Otton. (See Churchill-Otton.)				
Page, F. T., Dannevirke, N.Z. Shackle ..	18021	10 June ..	54	23 June.*
Paley, W. V., and another, Charters Towers, Q. Egg-beater ..	17720	31 March ..	36	28 April.
Park, A. J., Dunedin, N.Z. (See R. Wales, No. 17983.)				
Parker, A., Dannevirke, N.Z. Window-lock ..	17955	25 May ..	49	9 June.*
Parker, A., Dannevirke, N.Z. Draught and dust excluder for window-sash	17956	25 May ..	49	9 June.*
Parry, H. E., and others, Perth, W.A. Reversible rotary engine ..	18078	23 June ..	62	21 July.
Parsons, C. A., and another, Newcastle-on-Tyne, Eng. Dynamo electric machine	17946	25 May ..	54	23 June.
Paterson, F. W., Dunedin, N.Z. Vote-recorder ..	17915	14 May ..	45	26 May.*
Paterson, J., Gisborne, N.Z. Toasting-rack ..	17856	27 April ..	42	12 May.*
Paterson, J., and another, Thames, N.Z. Nightsoil and refuse pan	18086	23 June ..	59	7 July.*
Paterson, J., and another, Thames, N.Z. Socket-pipes ..	18090	25 June ..	62	21 July.*
Paterson, R., Balclutha, N.Z. Actuating lever-wheel of plough ..	16580	3 July, 1903	36	28 April.
Patterson, H. H., and another, Juneau, N.S.W. Rabbit-poisoning compound	17779	14 April ..	42	12 May.
Pearce, L., Fremantle, W.A. Sash-fastener ..	17990	1 June ..	59	7 July.
Pearson, J., Stafford, N.Z. Pruning-knife ..	18034	14 June ..	62	21 July.*
Peck, J. S., Pittsburg, U.S.A. (See W. E. Hughes, No. 17619.)				
Peddle, J. T., London, Eng. Sights and fittings for small-arms	17919	18 May ..	49	9 June.
Penrose, J., and another, Christchurch, N.Z. Window-sash lift ..	17883	6 May ..	49	9 June.*
Peters, G. A., Toronto, Canada. Target ..	18006	4 June ..	59	7 July.
Petersen, O., Christchurch, N.Z. Sandal ..	17304	26 Nov., 1903	49	9 June.
Peterson, C., Dublin, Ireland. Tobacco-pipe mouth-piece ..	17838	27 April
Petrie, J., Timaru, N.Z. Balancing window-sash ..	18092	28 June ..	59	7 July.*
Pettitt, J., Geelong, Vic. Fence-dropper ..	18011	9 June ..	54	23 June.*
Phillip, A. V., and another, Auckland, N.Z. Tire-cover ..	17933	17 May ..	49	9 June.*
Philp, H. E., and another, Riverton, N.Z. Curd-rack ..	17984	28 May ..	54	23 June.*

ALPHABETICAL LIST OF APPLICANTS FOR LETTERS PATENT—continued.

Name, Address, and Invention.	Application.		Gazette.	
	No.	Date.	No.	Date.
Pincott, C. F. R., and another, Melbourne, Vic. Cycle driving-gear	17966	26 May ..	49	9 June.*
Planters' Compress Company, Boston, U.S.A. Baling-press. (J. T. Cowley)	17766	13 April ..	45	26 May.
Pluck, G., Rakaia, New Zealand. Cow-leg holder	17920	17 May ..	45	26 May.*
Pomeroy, J., Invercargill, N.Z. Menstruation appliance ..	17855	26 April ..	42	12 May.*
Pomeroy, J., Invercargill, N.Z. Projectile	18025	1 June ..	54	23 June.*
Pomeroy, J., Invercargill, N.Z. Knife-cleaner	18026	1 June ..	54	23 June.*
Pomeroy, J., Invercargill, N.Z. Treating flax	18110	29 June ..	62	21 July.*
Powell, G., Wanganui, N.Z. Fencing-dropper	17764	11 April ..	42	12 May.
Power and Mining Machinery Company, New York, U.S.A. (See E. S. Baldwin and H. H. Rayward, No. 17961.)				
Poynter, J. B., Wellington, N.Z. Paper-fastener	16494	15 June, 1903	49	9 June.
Prichard, W. A., Kalgoorlie, W.A. Slimes pressure-filter ..	18044	15 June ..	62	21 July.
Rask, C., and another, Invercargill, N.Z. Travelling-race ..	17731	30 Mar. ..	36	28 April.*
Ray, F., East Orange, U.S.A. (See Henry R. Worthington, Nos. 17739 and 17740.)				
Rayward, H. H., and another, Wellington, N.Z. Making producer and water gas. (Power and Mining Machinery Company)	17961	26 May
Read, H. L., Kalgoorlie, W.A. Purification of slimes	18076	23 June ..	59	7 July.*
Read, H. L., Kalgoorlie, W.A. Separating gold, &c., from cyanide precipitates	18077	23 June ..	59	7 July.*
Regenbogen, C., and another, Manchester, Eng. (See J. T. Hunter, No. 18041.)				
Reid, A. B., and another, Eddington, N.Z. Chaff-cutter	17864	2 May ..	45	26 May.*
Reid, E. D., Wanganui, N.Z. (See the Wanganui Brush Factory Company, Limited, No. 17924.)				
Reid, R. S., Timaru, N.Z. Race-starter	17773	13 April
Reid, S., and another, Eddington, N.Z. Chaff-cutter	17864	2 May ..	45	26 May.*
Richards, E. D., Palmerston North, N.Z. Hammock. (F. E. A. Gordon)	17893	11 May ..	45	26 May.*
Richardson, E., Hawthorn, Vic. Exhaust-valve.	17958	26 May ..	49	9 June.*
Robertson, D. M., Christchurch, N.Z. Totalisator	17882	7 May ..	45	26 May.*
Robertson, E. L., Wellington, N.Z. Egg-carrier	17991	2 June ..	54	23 June.*
Rodgers, F. W., Dunedin, N.Z. Ladies' protector	18068	18 June ..	59	7 July.*
Roebuck, W. J., Oamaru, N.Z. Animal-food steaming-apparatus ..	18071	22 June ..	59	7 July.*
Rooney, J. W., Caversham, N.Z. Electric-car trolley-pole ..	17818	20 April ..	42	12 May.*
Rose, J., Wellington, N.Z. Liberating pigeons	17959	26 May ..	49	9 June.*
Rosengarten, S., and another, Adelaide, S.A. Hydraulic ram ..	18009	8 June ..	59	7 July.
Ross, A. J., Kihikihi, N.Z. Securing iron roofing	16614	10 July, 1903 ..	45	26 May.
Ross, G., Dunedin, N.Z. Register-grate flue	16587	1 July, 1903 ..	36	28 April.
Ross, N., Berwick, N.Z. Californian pump	18027	9 June ..	54	23 June.*
Ross, P. B., New Plymouth, N.Z. Spring stirrup-iron.. ..	17938	21 May ..	49	9 June.*
Ross, T. J., Auckland, N.Z. Ship's raft	18079	23 June ..	59	7 July.*
Rouse, T., and another, London, Eng. Converting ironsand into briquettes	16978	16 Sept., 1903..	45	26 May.
Rusher, C. J., and another, Capetown, Cape Colony. Explosive ..	17828	25 April ..	42	12 May.
Ruud, E., and another, Pittsburg, U.S.A. (See J. T. Hunter, No. 18041.)				
Salinger, J., Auckland, N.Z. Elevator-alarm	17749	8 April ..	42	12 May.
Sanderson, J., and another, New Plymouth, N.Z. Drawing-table and easel	17911	14 May
Sasse, W., Cardrona, N.Z. Water-conveyor	17902	9 May ..	49	9 June.
Sauvage, W. H., Manhattan, U.S.A. (See W. J. Spruson, No. 17846.)				
Schmitt, E. D., Baltimore, U.S.A. (See L. B. Schram, No. 17706.)				
Schram, L. B., New York, U.S.A. Bottle-sealing device. (E. D. Schmitt)	17706	29 Mar. ..	36	28 April.
Schwanhausser, W., Brooklyn, U.S.A. (See Henry R. Worthington, No. 17738.)				
Scorror, J., Wellington, N.Z. Belt-fastener	17748	8 April ..	45	26 May.
Scott, G. M., Dunedin, N.Z. Railway-signalling apparatus ..	17891	6 May ..	45	26 May.*
Scott, G. M., Dunedin, N.Z. Venetian blind	18103	28 June ..	59	7 July.*
Scott, S., Wellington, N.Z. Cake-mould	17977	31 May ..	54	23 June.
Seavill, W., Waingaro, N.Z. Castor	16736	31 July, 1903..	49	9 June.
Seifert, H., Invercargill, N.Z. Water-scutching attachment ..	17819	20 April ..	42	12 May.*
Selwood, H., Kingston, N.Z. Book holder and marker.. ..	17892	7 May ..	45	26 May.*
Siegfried, R., and another, Pittsburg, U.S.A. (See J. P. Campbell, No. 18016.)				
Simmonds, W. P., Flaxmore, N.Z. Instrument to familiarise sight and sound in music	17509	3 Feb. ..	42	12 May.*
Simmons, C., Paignton, Eng. Rock-drill lifter	17521	18 Mar., 1903 †	45	26 May.
Skeates, T. S., Devonport, N.Z. Leather tire-cover	18059	13 June ..	59	7 July.*
Slattery, M., Oamaru, N.Z. Rabbit-trap	17753	7 April
Small, C. C., Newton Highlands, U.S.A. Top-lifts for boots and shoes	18100	24 Oct., 1903 †
Smith, C. E. E., Auckland, N.Z. Flax washer and scraper	17973	27 May ..	49	9 June.*
Smith, C. S., and another, Dunedin, N.Z. Box	16307	2 May, 1903 ..	36	28 April.
Smith, E. S., Timaru, N.Z. Mechanical stirrer	16807	13 Aug., 1903..	54	23 June.
Smith, H. T., Sydney, N.S.W. Liquid-carboniser	18045	16 June ..	62	21 July.
Smith, S., Dunedin, N.Z. Tailors' measuring-apparatus ..	17805	19 April ..	42	12 May.*
Snedden, W., Invercargill, N.Z. Combined plough and harrow ..	17935	20 May ..	49	9 June.*
Société des Produits Chimiques et d'Explosifs, Berges, Corbin, et Cie, Grenoble, France. Manufacture of explosives. (E. A. G. Street)	17752	6 April ..	42	12 May.

ALPHABETICAL LIST OF APPLICANTS FOR LETTERS PATENT—*continued.*

Name, Address, and Invention.	Application.		Gazette.	
	No.	Date.	No.	Date.
Somerville, W. G., and another, Dunedin, N.Z. Bracket ..	16564	26 June, 1903..	36	28 April.
Soper, T. W., Titiroa, N.Z. Seed sower and ridger ..	18098	28 June ..	59	7 July.*
Spencer, W. E., and another, New Plymouth, N.Z. Drawing table and easel ..	17911	14 May
Spruson, W. J., Sydney, N.S.W. Air-brake. (W. H. Sauvage) ..	17846	27 April
Staines, F., Melbourne, Vic. Domestic tray..	18010	9 June ..	59	7 July.
Stark, H. S., Johannesburg, Transvaal. Extraction of gold ..	17905	9 May ..	49	9 June.
Stevenson, G. S., Gore, N.Z. Water-wheel ..	17993	31 May ..	54	23 June.*
Stevenson, G. S., Wendon, N.Z. Draw-bar attachment ..	16458	9 June, 1903..	36	28 April.
Stevenson, J. R., and another, Junee, N.S.W. Rabbit-poisoning compound ..	17779	14 April ..	42	12 May.
Stevenson, W., Auckland, N.Z. Dining and billiard table ..	17874	2 May ..	45	26 May.*
Stewart, R. L., Auckland, N.Z. Pen-nib attachment ..	17813	21 April ..	42	12 May.*
Stewart, H. G., Silverhope, N.Z. Boot-cleaner ..	17980	31 May ..	62	21 July.
Stidolph, S., Wellington, N.Z. Foldable cot ..	17754	9 April ..	36	28 April.*
Stokes, jun., W., Christchurch, N.Z. Petrol-carburetter ..	17960	26 May ..	49	9 June.*
Stoney, G. G., and another, Newcastle-on-Tyne, Eng. Dynamo electric machine ..	17946	25 May ..	54	23 June.
Strange, W., and another, Christchurch, N.Z. Latch-lock ..	17119	19 Oct., 1903 ..	54	23 June.
Strange and Co., W. (See W. Strange and T. Coverdale, No. 17119.)				
Street, E. A. G., Paris, France. (See Société des Produits Chimiques et d'Explosifs, Berges, Corbin, et Cie, No. 17752.)				
Stuart, H. R., Wilkesburg, U.S.A. (See W. E. Hughes, No. 17872.)				
Stuart, J., London, Eng. Releasing and lowering ship's boats ..	17890	10 May ..	49	9 June.
Sutton, W. A. P., Gisborne, N.Z. Weed-eradicator ..	17995	1 June ..	54	23 June.*
Svenson, A., Morrison's Bush, N.Z. Gun-barrel cleaner ..	18031	13 June ..	54	23 June.*
Svenson, A., Morris n's Bush, N.Z. Game ..	18000	7 June ..	59	7 July.
Sweetser, G., Upper Norwood, Eng. Electric lamp and switch ..	17662	16 Mar. ..	54	23 June.
Symington, S., Christchurch, N.Z. Electric-car trolley-wheel ..	17907	14 May ..	49	9 June.
Synder, L., Rochelle Park, U.S.A. (See J. H. King, No. 17895.)				
Tait, A. L. J., Richmond, Vic. Fibre-dressing machinery ..	17683	22 Mar. ..	36	28 April.
Talbot-Tubbs, H. A., Auckland, N.Z. (See F. H. Templar, No. 18032.)				
Tandy, C., and another, Wellington, N.Z. Building-cornice ..	17861	30 April ..	45	26 May.*
Tarrant, W., Estcourt, Natal. Horseshoe ..	17888	7 May ..	49	9 June.
Taylor, J. H. R., and another, Riverton, N.Z. Curd rack ..	17984	28 May ..	54	23 June.*
Te Aarutaua, Hawera, N.Z. Horse-controller ..	17970	30 May ..	49	9 June.*
Tee, H., Liverpool, Eng. Manufacture of salt ..	18050	16 June ..	62	21 July.
Tehan, M. J., and another, Melbourne, Vic. Motor reaper-and-binder ..	17848	27 April
Templar, F. H., Devonport, N.Z. Treatment of felt. (H. A. Talbot-Tubbs)	18032	11 June ..	59	7 July.*
Thompson, A., Dunedin, N.Z. Animal-cover ..	16889	27 Aug., 1903..	54	23 June.
Thomson, J., Invercargill, N.Z. Vehicle-wheel tire ..	17760	6 April ..	36	28 April.*
Thomson, E., and another, Ngahauranga, N.Z. Gambrel ..	17796	18 April ..	45	26 May.*
Thomson, R. W., and others, Perth, W.A. Reversible rotary-engine ..	18078	23 June ..	62	21 July.
Todd, R. W., Waikivi, N.Z. Manufacture of concrete pipes ..	17868	3 May ..	49	9 June.
Toft, J. M., Drury, N.Z. Horse-collar ..	18091	28 June
Topham, L. E., and another, Somerville, U.S.A. (See United Shoe Machinery Company, No. 17841.)				
Trainor, W., and another, Kensington, Vic. Cycle-driving gear ..	17966	26 May ..	49	9 June.*
Tregear, E., Wellington, N.Z. Motor ..	18020	10 June ..	54	23 June.*
Tubbs. (See under Talbot-Tubbs.)				
Turnbull, J., and another, Gore, N.Z. Tire ..	17909	16 May ..	45	26 May.*
Turner, H. J., and another, Wanganui, N.Z. Driving-belt ..	18019	10 June ..	54	23 June.*
Turner, H. J., and another, Wanganui, N.Z. Belting ..	17789	13 April
Turner and Co., Wanganui, N.Z. (See H. J. Turner and W. E. Campbell, No. 17789.)				
United Shoe Machinery Company, Paterson, U.S.A. Sole-pressing machine. (W. Frasier)	17835	27 April ..	42	12 May.*
United Shoe Machinery Company, Paterson, U.S.A. Sole-pressing machine. (B. F. Mayo)	17839	27 April ..	42	12 May.*
United Shoe Machinery Company, Paterson, U.S.A. Skiving-machine. (J. B. Hadaway)	17840	27 April ..	42	12 May.*
United Shoe Machinery Company, Paterson, U.S.A. Stamping-machine. (W. Gordon and L. E. Topham)	17841	27 April ..	42	12 May.*
United Shoe Machinery Company, Paterson, U.S.A. Protector-inserting machine. (G. Goddu)	17922	19 May ..	49	9 June.*
United Shoe Machinery Company, Paterson, U.S.A. Skiving-machine. (F. L. Alley)	17923	19 May ..	49	9 June.*
United Shoe Machinery Company, Paterson, U.S.A. Pulling-over machine. (R. F. McFeely)	16817	10 Aug., 1903..	54	23 June.
United Shoe Machinery Company, Paterson, U.S.A. Wax-pot heater. (F. L. Alley)	18089	15 June ..	62	21 July.
United Shoe Machinery Company, Paterson, U.S.A. Pulling-over machine. (A. Bates)	18018	9 June ..	59	7 July.
Upham, A. B., Boston, U.S.A. Electric-traction current-collector..	17768	13 April, 1903 †
Verey, E., Ballarat, Vic. Name and sign plates ..	18098	30 June ..	59	7 July.*
Wainwright, H. S., Ashford, Eng. Draught-producer and spark-arrester ..	17713	25 Sept., 1903 †	36	28 April.
Wainwright, H. S., Ashford, Eng. Draught-producer and spark-arrester ..	17714	15 Oct., 1903 †	36	28 April.
Wales, R., Dunedin, N.Z. Franking-machine ..	17822	21 April ..	42	12 May.*

ALPHABETICAL LIST OF APPLICANTS FOR LETTERS PATENT—continued.

Name, Address, and Invention.	Application.		Gazette.	
	No.	Date.	No.	Date.
Wales, R., Dunedin, N.Z. Coin-actuated franking-machine ..	17860	26 April ..	42	12 May.*
Wales, R., Dunedin, N.Z. Circular-saw packing-holder ..	16654	15 July, 1903 ..	54	23 June.
Wales, R., Dunedin, N.Z. Stencil-plate. (A. J. Park)..	17983	28 May ..	54	23 June.*
Wallace, G. H., and another, New Farm, Q. Totalisator ..	17974	31 May ..	49	9 June.*
Wallace, G. H., and another, New Farm, Q. Totalisator ..	17975	31 May
Wallis, G. P., and another, Leeds, Eng. Manufacture of bricks ..	17270	19 Nov., 1903..	36	28 April.
Walpole, R. W., Opuā, N.Z. Beverage ..	17286	25 Nov., 1903..	49	9 June.
Wanganui Brush Factory Company, Limited, The, Wanganui, N.Z. Bottle-brush. (E. D. Reid)	17924	19 May ..	59	7 July.
Warden, C. E., Christchurch, N.Z. Parlour-game peg ..	17710	30 Mar. ..	36	28 April.*
Waters, J. B., and others, Dunedin, N.Z. Grass-seed cleaner ..	17743	6 April ..	42	12 May.
Watson, J., and another, Dunedin, N.Z. Flax-treating ..	17906	11 May ..	45	26 May.*
Weaver, A., Hastings, N.Z. Wool-scouring apparatus ..	17746	8 April ..	42	12 May.
Webber, J. O., Invercargill, N.Z. Removing handles from axes ..	17783	15 April ..	36	28 April.*
Webster, W., Dunedin, N.Z. Candle holder and saver ..	17817	20 April ..	42	12 May.
Weingott, S., and Sons, Limited, Sydney, N.S.W. Waterproof coat. (S. Weingott)	18030	13 June ..	54	23 June.*
Weingott, S., Sydney, N.S.W. (See S. Weingott and Sons, Limited, No. 18030.)				
Welch, W. H. I., London, Eng. (See The Lamp Manufacturing Company, Limited, No. 17923.)				
Wells, R. B., Wellington, N.S.W. (See A. S. Coronel, No. 17383.)				
Werner, A., and others, Doyleston, N.Z. Elevator-belt tension-regulator	17806	19 April ..	42	12 May.*
Werner and Co., A., Doyleston, N.Z. (See A. Werner, W. G. Breach, and J. Fussell, No. 17806.)				
Westinghouse, G., Pittsburg, U.S.A. (See W. E. Hughes, No. 17778.)				
Weston, R., Sydenham, N.Z. Leather bicycle-pedal strap ..	18053	15 June ..	59	7 July.*
Weston, R., Sydenham, N.Z. Leather bicycle-pedal strap ..	18054	15 June ..	59	7 July.*
Wheeler, C., Wellington, N.Z. Hose-suspender ..	17886	9 May ..	49	9 June.
White, G. H., Rakaia, N.Z. Branding carcasses ..	17981	30 May
White, L. B., and another, Jersey City, U.S.A. (See White-Mylin Furnace Company, No. 17800.)				
White-Mylin Furnace Company, Brooklyn, U.S.A. Furnace (A. H. Mylin and L. B. White)	17800	19 April ..	45	26 May.
White, W., Tarras, N.Z. Fencing standard ..	18008	8 June ..	62	21 July.
Whitelaw, H. J., Palmerston North, N.Z. Motor tire-protector ..	17712	31 Mar. ..	36	28 April.*
Whitlock, W., Gisborne, N.Z. Steam-turbine motor ..	17744	7 April ..	31	14 April.*
Widdicombe, T. H. H., New Town, Tas. Butter-cutter ..	17696	23 Mar. ..	36	28 April.
Wight, R. B., Auckland, N.Z. Beverage ..	17297	25 Nov., 1903 ..	54	23 June.
Willey, A., Christchurch, N.Z. Self-closing bottle ..	17986	30 May ..	54	23 June.*
Williams, W., Hawthorndale, N.Z. Coulter ..	16673	23 July, 1903 ..	45	26 May.
Wilshire, W. L., Wellington, N.Z. Construction of buildings ..	16694	28 July, 1903 ..	49	9 June.
Wilson, F. J., Palmerston North, N.Z. Matchbox ..	17733	5 April
Wilson, T., and another, Ashhurst, N.Z. Washer ..	17884	7 May ..	49	9 June.*
Wilson, T., and others, Wellington, N.Z. Releasing snatch-block..	17904	12 May
Winten, J. A., Mitchell, Q. Race-starting machine ..	17426	30 Dec., 1903 ..	54	23 June.
Withers, A. J., Palmerston North, N.Z. Letter-envelope ..	17972	30 May ..	54	23 June.*
Witting, I. F., Yangan, Q. Milk preserving ..	17896	11 May ..	45	26 May.*
Wolski, W., Schodnika, Austria-Hungary. Hydraulic boring-apparatus	17957	25 May ..	54	23 June.
Wood, W., Dunedin, N.Z. Pie-making machine ..	17916	14 May ..	45	26 May.*
Wootton, T. H., Dunedin, N.Z. Electric belt and generator combined	17857	26 April ..	49	9 June.*
Worthington, Henry R., New York, U.S.A. Condenser. (W. Schwanhausser)	17738	6 April ..	42	12 May.
Worthington, Henry R., New York, U.S.A. Centrifugal pump. (F. Ray)	17739	6 April ..	42	12 May.
Worthington, Henry R., New York, U.S.A. Centrifugal pump. (F. Ray)	17740	6 April ..	42	12 May.
Wright, T. C., and another, Melbourne, Vic. Motor reaper-and-binder	17848	27 April
Youtlen, W., Westminster, Eng. Fibre-cleaner ..	18065	21 June ..	62	21 July.*
Zlotkowski, I., and another, Sydney, N.S.W. Fire-extinguisher ..	17807	20 April ..	45	26 May.
Zohrab, E. G. F., and another, Wellington, N.Z. Paper bag. (J. Laird and Sons)	17913	17 May

Alphabetical List of Inventions for Quarter ending 30th June, 1904.

THIS list includes also applications lodged prior to but gazetted during the quarter, and complete specifications following provisional specifications accepted and gazetted during the quarter. Where the number and date of the Gazette are omitted, the applications have not yet been accepted.

* Denotes a provisional specification.

† Denotes a prior date under section 106 of "The Patents, Designs and Trade Marks Act, 1889."

Invention.	Name.	Application.		Gazette.	
		No.	Date.	No.	Date.
Acetylene-gas generator	F. Lawrence and R. Irving	18075	23 June ..	59	7 July.*
Address-slip for envelope, &c. ..	G. A. Grace	17811	21 April ..	42	12 May.*
Advertisements, Fixing on shelves ..	T. Morris	17787	12 April ..	36	28 April.*
Advertising	J. Dunstan and E. W. Manning ..	18109	29 June
Advertising-device	H. Droutledge and M. Foley ..	17820	20 April
Advertising-exhibitor and newspaper-file ..	A. Divine	17964	25 May
Advertising-puzzle	H. T. Harding and A. F. Billing ..	17829	25 April ..	42	12 May.
Air-brake	W. J. Spruson	17846	27 April
Alarm. (See Burglar-alarm, Elevator-alarm, Fire-alarm.)					
Amalgamator and crusher, Ore	H. Jones	16797	14 Aug., 1903	49	9 June.
Anæsthetics, Apparatus for inhaling ..	H. Gunthorp	16508	15 June, 1903	36	28 April.
Animal-cover	A. Thompson	16889	27 Aug., 1903	54	23 June.
Animal-cover, Securing	W. G. Grave	18101	30 June
Anti-fouling composition for ships ..	J. B. Hannay	18036	15 June
Armour for torpedo-boat, Defensive ..	E. H. Featon	18055	17 June ..	59	7 July.*
Arrester. (See Spark-arrester.)					
Axe	S. F. Clare	17962	20 May ..	49	9 June.*
Axe, Fitting handle in	S. F. Clare	17461	9 Jan. ..	45	26 May.
Axe, Fitting handle in	S. F. Clare	17903	4 May ..	54	23 June.
Axe-head, Removing broken handle from ..	J. O. Webber	17783	15 April ..	36	28 April.*
Bacteria in milk, Destruction of	I. F. Witting	17896	11 May ..	45	26 May.*
Bag for collecting kauri-gum	A. J. McPharlin	17059	3 Oct., 1903	36	28 April.
Bag, Paper	E. G. F. Zohrab and W. C. Greig ..	17913	17 May
Baker's oven, Portable	C. F. F. Allan	17971	30 May ..	49	9 June.*
Baling-press	Planters' Compress Company ..	17766	13 April ..	45	26 May.
Ball-cock and stop-valve	R. Orwin and A. Jack	17834	27 April ..	42	12 May.*
Barrels, casks, &c. Forming	F. Alexe	18038	15 June ..	62	21 July.
Basket-cover, Japanese cane	M. H. Butchart	17852	29 April ..	45	26 May.*
Bearings of vehicles	E. and C. Johanson	17925	19 May ..	49	9 June.
Bed, Foldable-cot for attachment to ..	S. Stidolph	17754	9 April ..	36	28 April.*
Beers, Manufacture of English	N. H. Claussen	17771	13 April ..	42	12 May.
Bell-sounding instrument for punching and recording tickets	E. Cornwall-Cook	17885	5 May ..	45	26 May.*
Belt. (See Driving-belt, Electric-belt, Elevator-belt.)					
Belt-fastener	T. and M. J. Kilkelly	16810	14 Aug., 1903	59	7 July.
Belting, Fastener for securing ends of machinery-	J. Scorrar	17748	8 April ..	45	26 May.
Belting	H. J. Turner and W. E. Campbell ..	17789	13 April
Beverage	R. W. Walpole	17286	25 Nov., 1903	49	9 June.
Beverage	R. B. Wight	17297	25 Nov., 1903	54	23 June.
Bicycle-driving mechanism	Ah Pat	17798	18 April ..	42	12 May.*
Bicycle-pedal strap	R. Weston	18053	15 June ..	59	7 July.*
Bicycle-pedal strap	R. Weston	18054	15 June ..	59	7 July.*
Bicycle-stand	M. Hogan	17791	15 April
Bicycle-stand	P. J. de la Haye	18108	28 June
Billiard and dining-table	W. Stevenson	17874	2 May ..	45	26 May.*
Billiard-marking board and cabinet ..	H. U. Alcock	17757	8 April ..	36	28 April.*
Billiard-table	F. A. Alcock	18046	16 June ..	54	23 June.*
Billiard-table	C. J. Duffy	16690	27 July, 1903	45	26 May.
Binder-and-reaper, Motor	M. J. Tehan and T. C. Wright ..	17848	27 April
Bird-trap	G. H. Fowler	17816	21 April ..	42	12 May.*
Blind or shutter, Collapsible	G. McMullen	17832	27 April ..	42	12 May.
Blind, Venetian	G. M. Scott	18103	28 June
Blocks, Cutting material into	A. G. Baker	17618	2 March ..	49	9 June.
Board. (See Marking-board, Drawing-board, Weatherboard.)					
Book-holder	V. A. Langevad	18104	27 June ..	59	7 July.*
Book holder and marker	H. Selwood	17892	7 May ..	45	26 May.*
Book holder and supporter	G. Morgan	18085	22 June ..	59	7 July.*
Book holder or clip	J. S. Larke	17918	12 May ..	49	9 June.
Boot and shoe display-bracket	T. Garland	17976	31 May ..	49	9 June.*
Boot-cleaner	H. G. Stewart	17980	31 May ..	62	21 July.
Boot-fastener	W. Beamish	17792	14 April ..	42	12 May.*
Boot-lace fastening	J. T. Harris	17914	12 May ..	45	26 May.*
Boot or shoe heel	H. B. Morrison	18074	23 June ..	62	21 July.*
Boot-sole, Compound for manufacture of ..	J. Turnbull and S. Nicolson ..	17909	16 May ..	45	26 May.*
Boot-sole levelling and pressing machine ..	United Shoe Machinery Company ..	17835	27 April ..	42	12 May.*
Boot-sole levelling and pressing machine ..	United Shoe Machinery Company ..	17839	27 April ..	42	12 May.*
Boot-tree	A. S. Baker	17809	21 April ..	42	12 May.*
Boots and shoes, Manufacture of	E. J. McDonald	18082	24 June ..	59	7 July.*
Boots and shoes, Skiving machine for ..	United Shoe Machinery Company ..	17840	27 April ..	42	12 May.*
Boots and shoes, Top-lifts for	C. C. Small	18100	24 Oct., 1903†
Borer, Post-hole	A. Currie and R. Anderson ..	16916	4 Sept., 1903	54	23 June.
Boring apparatus, Hydraulic	W. Wolski	17957	25 May ..	54	23 June.
Bottle-brush	The Wanganui Brush Factory Company (Limited)	17924	19 May ..	59	7 July.

ALPHABETICAL LIST OF INVENTIONS—continued.

Invention	Name	Application.		Gazette.	
		No.	Date.	No.	Date.
Bottle or jar, Airtight	A. S. Baker	17767	9 April ..	49	9 June.*
Bottle-seal	L. B. Schram	17706	29 March ..	36	28 April.
Bottle, Self-closing	A. Wildey	17986	30 May ..	54	23 June.*
Bottle. (See also Non-refillable bottle.)					
Bottle sprinkler-attachment	G. L. Cole	16742	5 Aug., 1903	45	26 May.
Box for perishable goods	C. Kennedy	17823	25 April ..	42	12 May.*
Box. (See Collapsible box, Matchbox.)					
Bracket. (See Display-bracket, Table-bracket, Wall-bracket.)					
Brake, Air-	W. J. Spruson	17846	27 April
Branding carcasses	G. H. White	17981	30 May
Branding composition	De B. de Lisle and E. V. Luttrell	17464	18 Jan. ..	45	26 May.
Bricks, Manufacture of	G. P. Wallis and G. Fox	17270	19 Nov., 1903	36	28 April.
Briquettes, Converting ironsand into	T. Rouse and H. Cohn	16978	16 Sept., 1903	45	26 May.
Brooch-pin	A. S. Dewhurst	16833	21 Aug., 1903	59	7 July.
Brush, Bottle-	The Wanganui Brush Factory Company, Limited	17924	19 May ..	59	7 July.
Brush-holder for electric machine	Electric and Train-lighting Syndicate, Limited	17952	25 May
Brush-holder for electrical machine	J. P. Campbell	18016	9 June ..	59	7 July.
Bucket, Spring-handle for	S. H. Day	17652	14 Mar. ..	36	28 April.*
Buckle, Self-fastening	P. E. Cheal	17761	7 April ..	36	28 April.*
Building-cornices, Construction of	W. Johnson and C. Tandy	17861	30 April ..	45	26 May.*
Buildings, Construction of	W. I. Wilshire	16694	28 July, 1903	49	9 June.
Burglar-alarm	G. J. Cartwright	17610	3 Mar. ..	36	28 April.*
Butter-cutter	T. H. H. Widdicombe	17696	23 Mar. ..	36	28 April.
Butter printer and sizer	A. Christie	18007	4 June ..	59	7 July.
Buttonhole for collar	W. Beamish	17793	14 April ..	42	12 May.*
Cabinet and marking-board, Billiard-	H. U. Alcock	17757	8 April ..	36	28 April.*
Cake-mould	S. Scott	17977	31 May ..	54	23 June.
Californian pump	M. Ross	18027	9 June ..	54	23 June.*
Calves, Teaching, to drink	H. A. Fry	17865	18 May ..	45	26 May.*
Candle-extinguisher	J. A. Belk	16573	30 June, 1903	36	28 April.
Candle-extinguisher	C. Hooke	17587	8 April ..	36	28 April.*
Candle holder and saver	W. Webster	17817	20 April ..	42	12 May.
Candles, Device to prevent guttering of	T. A. Nash	17826	25 April ..	42	12 May.*
Cans or tins, Closing filled	G. W. Berry	18047	16 June ..	54	23 June.*
Cans or tins, Keyless tearing-strips for	G. W. Berry	18049	16 June ..	54	23 June.*
Cans or tins, Vents of	G. W. Berry	18048	16 June ..	54	23 June.*
Car to travel over lines of varying gauges, Enabling	A. R. Angus and H. M. Laughler	18056	17 June ..	62	21 July.
Car. (See Electric car, Motor car, Tram-car.)					
Carbonating liquids, Apparatus for	H. T. Smith	18045	16 June ..	62	21 July.
Carbonic-acid motor	J. P. Lajoie	17516	2 Feb. ..	45	26 May.
Carburetter, Petrol.. ..	W. Stokes, jun.	17960	26 May ..	49	9 June.*
Carcasses, Branding	G. H. White	17981	30 May
Carpet and upholstery beater	F. O. R. Jagusch	17803	15 April ..	42	12 May.
Cart. (See Go-cart.)					
Cartridges, Machine for making cored	A. Burt	17756	8 April ..	36	28 April.*
Case, Export package or	G. Cheverton and J. T. Johnson	17887	9 May ..	49	9 June.*
Case for perishable goods	C. Kennedy	17823	25 April ..	42	12 May.*
Casks, barrels, &c., Forming	F. Alexe	18038	15 June ..	62	21 July.
Castor	W. Seavill	16736	31 July, 1903	49	9 June.
Catamenial sac or pad, Supporting	B. W. M. Melton	17775	12 April ..	36	28 April.*
Cement, Furnace for burning	G. Gröndal	17842	27 April ..	45	26 May.
Centrifugal pump	Henry R. Worthington	17739	6 April ..	42	12 May.
Centrifugal pump	Henry R. Worthington	17740	6 April ..	42	12 May.
Centrifugal separator-bowl, Link - blade liner for	E. A. Forsberg and B. Ljungström	17843	27 April ..	45	26 May.
Centrifugal separator, Inlet-pipe for	Aktiebolaget Sveaseparatorn	17948	25 May ..	54	23 June.
Chaff-cutter	S. and A. B. Reid	17864	2 May ..	45	26 May.*
Chaff cutter and bagger	J. Macalister	17762	6 April ..	42	12 May.*
Chaff cutter and bagger	J. Macalister	18073	17 June ..	59	7 July.
Chart for cutting garment-patterns	M. E. McLeod	16183	4 April, 1903	59	7 July.
Children, Appliance for use by	M. Nikander	18087	24 June
Cleaner. (See Boot-cleaner, Dried-fruit cleaner, Fibre-cleaner, Gun-barrel cleaner, Kauri-gum cleaner, Knife-cleaner, Seed-cleaner, Tobacco-pipe cleaner.)					
Cleansing fluid	F. J. S. Hutchinson	17728	5 April ..	49	9 June.
Clipper, Hedge	P. Eddy	17994	1 June
Closet. (See Water-closet.)					
Closing filled tins or cans	G. W. Berry	18047	16 June ..	54	23 June.*
Clothes-horse	J. K. Hay	18040	15 June
Clothes-suspender for clothes-lines	A. M. Bauckham	17926	19 May ..	49	9 June.*
Club, Golf-	L. W. Alexander	17736	28 Mar. ..	36	28 April.*
Coat. (See Rain-proof coat, Waterproof coat.)					
Coat-suspender	F. H. W. Cowper	17825	25 April ..	42	12 May.*
Cock. (See ball cock.)					
Coiler, Wire-	R. and F. Fenwick	16830	21 Aug., 1903	45	26 May.
Coin-actuated franking-machine	R. Wales	17860	26 April ..	42	12 May.*
Coin-freed franking and stamping machine	E. Moss	18070	20 June ..	59	7 July.*

ALPHABETICAL LIST OF INVENTIONS—continued.

Invention.	Name.	Application.		Gazette.	
		No.	Date.	No.	Date.
Coin-freed-operated machine, Attachment to, for gauging the coins	E. Moss	17862	29 April ..	42	12 May.*
Coin-freed steam-cleaner for tobacco-pipe	M. A. E. Kelly	17747	8 April ..	36	28 April.*
Collapsible blind or shutter	G. McMullen	17832	27 April ..	42	12 May.
Collapsible box	C. S. Smith and C. Otto	16307	2 May, 1903	36	28 April.
Collar, Button-hole for	W. Beamish	17793	14 April ..	42	12 May.*
Collar. (See also Horse-collar.)					
Compressing forage	T. H. Mapp	17734	5 April ..	36	28 April.
Concentrator. (See Ore-concentrator.)					
Concrete beneath water, Putting down ..	J. Davies	18058	18 June ..	59	7 July.*
Concrete pipes, Manufacture of	R. W. Todd	17868	3 May ..	49	9 June.
Condenser	Henry R. Worthington	17738	6 April ..	42	12 May.
Controlling contents of high-pressure soda-water reservoir	A. J. L. Eckersley	17721	31 Mar. ..	36	28 April.
Controlling device, Horse-	Te Aarutaua	17970	30 May ..	49	9 June.*
Cooking-appliance	R. James	16755	6 Aug., 1903	49	9 June.
Cooler. (See Milk-cooler.)					
Cooling-apparatus	W. E. Hughes	17844	27 April ..	45	26 May.
Cornices, Construction of building-	W. Johnson and C. Tandy	17861	30 April ..	45	26 May.*
Cot, Foldable, for attachment to bed ..	S. Stidolph	17754	9 April ..	36	28 April.*
Coulter of plough, Spring-attachment for	W. Williams	16673	23 July, 1903	45	26 May.
Coulter, Revolving skim-	T. McDonald	17936	18 May ..	49	9 June.*
Counting and controlling mechanism of milk-weigher	D. P. Davidson	17999	7 June ..	54	23 June.*
Cover. (See Animal-cover, Basket-cover, Cow-cover, Fire-cover.)					
Cover of nightsoil-pan, Securing in position	J. T. Hunter	17978	31 May ..	49	9 June.*
Cow-cover	W. R. Devereux	18033	13 June ..	54	23 June.*
Cow-leg holder	G. Pluck	17920	17 May ..	45	26 May.*
Cramp, Flooring-	T. M. Dean and J. Harris	17831	25 April ..	42	12 May.*
Cricket, Table-	S. Churchill-Otton and M. P. Dunlop	17837	27 April ..	42	12 May.*
Cricket, Table-	W. Davis	18024	8 June ..	54	23 June.*
Culinary utensil	H. McClure	17737	6 April ..	42	12 May.
Cultivator	W. Arthur	17871	30 April ..	45	26 May.*
Cupels, Manufacture of	The Morgan Crucible Company, Limited	17777	14 April ..	42	12 May.
Curative appliance, Electro-magnetic	P. Boll	17751	8 April ..	49	9 June.*
Curd-rack	H. E. Philp and J. H. R. Taylor	17984	28 May ..	54	23 June.*
Curler, Hair-	W. Hinchey	18080	23 June
Current-collector for electric generator	J. T. Hunter	18015	9 June ..	59	7 July.
Current-collector for electric traction ..	A. B. Upham	17768	13 April, 1903†
Current, Varying voltage of alternating ..	W. E. Hughes	17872	4 May ..	49	9 June.
Cutter. (See Butter-cutter, Chaff-cutter, Mitre-cutter, Tobacco-cutter.)					
Cutting material into strips, Machine for	A. G. Baker	17618	2 Mar. ..	49	9 June.
Cyanide precipitates, Separating gold from	H. L. Read	18077	23 June ..	59	7 July.*
Cycle-driving gear	J. Dickason	17758	8 April ..	42	12 May.
Cycles, Sprocket driving-gear for	W. Trainor and C. F. R. Pincott	17966	26 May ..	49	9 June.*
Cylinder drying-machine	J. A. Merrett	17638	9 Mar. ..	36	28 April.
Dater, Ticket-	W. P. Nolan	16212	6 April, 1903	45	26 May.
Desk. (See Reading-desk, School-desk.)					
Diaphragm, Sanitary rotating, for telephone	S. Churchill-Otton	17723	31 Mar. ..	36	28 April.
Dining and billiard table	W. Stevenson	17874	2 May ..	45	26 May.*
Dip. (See Sheep-dip.)					
Disc-plough	J. F. Linke and M. S. Noack	17717	31 Mar. ..	42	12 May.
Display-bracket for boots and shoes	T. Garland	17976	31 May ..	49	9 June.*
Ditch-plough	C. C. Kidd and P. Kilkelly	16813	14 Aug., 1903	49	9 June.
Diving-dress	A. McLeod	17910	16 May ..	45	26 May.*
Door and life-saving apparatus, Lift-Door, Dust and draught excluder for	J. Jamison	17880	3 May ..	49	9 June.
Door, Dust and draught excluder for	G. R. Ogle	16562	25 June, 1903	36	28 April.
Door, Dust and draught excluder for	J. Lindsay	16651	17 July, 1903	59	7 July.
Door-holder	E. G. May	17979	31 May ..	62	21 July.
Door-lock	A. G. Baker	17965	26 May ..	49	9 June.*
Door of railway-car, &c.	H. J. Manson	16611	10 July, 1903	49	9 June.
Doors, Hinge for	J. A. Merrett	18052	16 June ..	62	21 July.
Draining-tray, Domestic	F. Staines	18010	9 June ..	59	7 July.
Drain-pipe, Flanging	R. O. Clark, jun.	17932	17 May
Draught and dust excluder for door	J. Lindsay	16651	17 July, 1903	59	7 July.
Draught and dust excluder for door	G. R. Ogle	16562	25 June, 1903	36	28 April.
Draught and dust excluder for window ..	A. Parker	17956	25 May ..	49	9 June.*
Draught-producer and spark-arrester	H. S. Wainwright	17713	25 Sep., 1903†	36	28 April.
Draught-producer and spark-arrester	H. S. Wainwright	17714	15 Oct., 1903†	36	28 April.
Draw-bar attachment, Vehicle	G. S. Stevenson	16458	9 June, 1903	36	28 April.
Drawing-board	W. Green	17808	21 April ..	42	12 May.*
Drawing-board, easel, and T-square	E. Gillow	16969	12 Sep., 1903	54	23 June.
Drawing-table and easel	W. E. Spencer and J. Sanderson	17911	14 May
Dredge, Conveying water to	W. Sasse	17902	9 May ..	49	9 June.
Dredger	F. Lobnitz	17802	16 April ..	45	26 May.
Dredging appliance, Gold-	H. L. Mainland	17998	2 June ..	59	7 July.
Dredging-machinery	J. D. Douglas	17879	3 May ..	45	26 May.*
Dried-fruit cleaner	S. Mintrom	17827	25 April ..	42	12 May.*
Drill, Lifting and turning rock-	C. Simmons	17521	18 Mar., 1903†	45	26 May.*
Driving-belt	H. J. Turner and W. E. Campbell	18019	10 June ..	54	23 June.*

ALPHABETICAL LIST OF INVENTIONS—continued.

Invention.	Name.	Application.		Gazette.	
		No.	Date.	No.	Date.
Driving-gear for cycles ..	J. Dickason ..	17758	8 April ..	42	12 May.
Driving-gear for cycles, Sprocket ..	W. Trainor and C. F. R. Pincott ..	17966	26 May ..	49	9 June.*
Driving-gear for pulleys ..	C. F. Jaehn and W. Emling ..	17949	25 May ..	54	23 June.
Driving-mechanism for bicycles ..	Ah Pat ..	17798	18 April ..	42	12 May.*
Dropper. (See Wire-fence dropper.)					
Drying-machine, Cylinder ..	J. A. Merrett ..	17638	9 Mar. ..	36	28 April.
Dubbin, Waterproof ..	A. Morris ..	17830	25 April ..	45	26 May.*
Dumping and spreading wagon ..	P. and D. Duncan (Limited) ..	18042	14 June ..	54	23 June.*
Dust and draught excluder for door ..	G. R. Ogle ..	16562	25 June, 1903	36	28 April.
Dust and draught excluder for door ..	J. Lindsay ..	16651	17 July, 1903	59	7 July.
Dust and draught excluder for window ..	A. Parker ..	17956	25 May ..	49	9 June.*
Dynamo ..	Electric and Train-lighting Syndicate (Limited) ..	17951	25 May
Dynamo electric machine ..	C. A. Parsons and G. G. Stoney..	17946	25 May ..	54	23 June.
Dynamo electric machine ..	J. P. Campbell ..	18063	21 June ..	62	21 July.
Earthenware pipe, Flanging ..	A. J. Lindsay ..	18057	18 June ..	59	7 July.*
Easel and drawing-table ..	W. E. Spencer and J. Sanderson ..	17911	14 May
Easel-attachment to school desk ..	E. Hooper ..	17943	23 May ..	54	23 June.
Easel, drawing-board, and T-square ..	E. Gillow ..	16969	12 Sept., 1903	54	23 June.
Egg-beater ..	W. V. Paley and T. H. Bussey ..	17720	31 Mar. ..	36	28 April.
Egg-carrier ..	E. L. Robertson ..	17991	2 June ..	54	23 June.*
Electric belt and generator ..	T. H. Wootton ..	17857	26 April ..	49	9 June.*
Electric-car trolley-pole ..	J. W. Rooney ..	17818	20 April ..	42	12 May.*
Electric-car trolley-wheel ..	S. Symington ..	17907	14 May ..	49	9 June.
Electric generator, Controlling voltage from ..	Electric and Train-lighting Syndicate (Limited) ..	17953	25 May
Electric generator, Current-collector for ..	J. T. Hunter ..	18015	9 June ..	59	7 July.
Electric heel-pad ..	L. Nelken ..	17869	29 April ..	49	9 June.
Electric lamp and switch, Incandescent ..	G. Sweetser ..	17662	16 Mar. ..	54	23 June.
Electric machine, Dynamo ..	J. P. Campbell ..	18063	21 June ..	62	21 July.
Electric machine, Dynamo ..	C. A. Parsons and G. G. Stoney..	17946	25 May ..	54	23 June.
Electric machine, Rotary ..	J. P. Campbell ..	18066	21 June ..	62	21 July.
Electric sock ..	J. W. Fowler ..	18017	9 June ..	54	23 June.*
Electric traction, Current-collector for ..	A. B. Upham ..	17768	13 April, 1903†
Electrical distribution, System of ..	W. E. Hughes ..	17599	2 Mar. ..	49	9 June.
Electrical distribution, System of ..	W. E. Hughes ..	17619	5 Mar. ..	54	23 June.
Electrical machine, Brush-holder for ..	Electric and Train-lighting Syndicate (Limited) ..	17952	25 May
Electrical machine, Brush-holder for ..	J. P. Campbell ..	18016	9 June ..	59	7 July.
Electrical measuring-instrument ..	J. P. Campbell ..	17875	5 May ..	49	9 June.
Electrically-operated target ..	G. A. Peters ..	18006	4 June ..	59	7 July.
Electro-magnetic appliance for curative purposes ..	P. Boll ..	17751	8 April ..	49	9 June.*
Elevator-alarm ..	J. Salinger ..	17749	8 April ..	42	12 May.
Elevator-belt, Regulating tension of ..	A. Werner, W. G. Breach, and J. Fussell ..	17806	19 April ..	42	12 May.*
Engine. (See Explosive-engine, Internal-combustion Engine, Locomotive-engine, Oil-engine, Rotary-engine.)					
Engine-tractor ..	J. Macalister ..	18073	17 June ..	59	7 July.*
Engines, Exhaust-muffler for ..	E. Brooke-Smith ..	17849	28 April ..	45	26 May.*
Engines, Exhaust-valve for ..	E. Richardson ..	17958	26 May ..	49	9 June.*
Envelope, Address-slip for ..	G. A. Grace ..	17811	21 April ..	42	12 May.*
Envelope ..	W. Bary ..	18097	29 June ..	59	7 July.*
Envelope ..	G. S. Jones ..	17847	26 April
Envelope, Letter ..	A. J. Withers ..	17972	30 May ..	54	23 June.*
Exhaust-muffler for engine ..	E. Brooke-Smith ..	17849	28 April ..	45	26 May.*
Exhaust-valve for engine ..	E. Richardson ..	17958	26 May ..	49	9 June.*
Explosive ..	Société des Produits Chimiques et d'Explosifs, Berges, Corbin, et Cie ..	17752	6 April ..	42	12 May.
Explosive ..	C. J. Rusher and G. W. Baudinet ..	17828	25 April ..	42	12 May.
Explosive ..	N. Cejpek ..	17867	3 May ..	49	9 June.
Explosive ..	J. Fahey ..	17954	25 May ..	49	9 June.*
Explosive-engine, Mixing-valve for ..	J. P. Campbell ..	17947	25 May ..	54	23 June.
Explosives, Machine for making ..	A. Burt ..	17756	8 April ..	36	28 April.*
Extinguisher. (See Candle-extinguisher, Fire-extinguisher.)					
Eye-glass Cord, Spring-winder for ..	A. H. Brownley ..	16544	22 June, 1903	36	28 April.
Fastener for ends of machinery-belt ..	J. Scorrar ..	17748	8 April ..	45	26 May.
Fastener. (See also Belt-fastener, Boot-fastener, Legging-fastener, Sash-fastener, Window-fastener.)					
Fastening for papers, packages, &c. ..	J. B. Poynter ..	16494	15 June, 1903	49	9 June.
Fastening. (See also Boot-lace fastening, Rug-fastening.)					
Feeder for sheep-dip, Traversing- ..	J. Coop ..	17908	14 May
Feeding-funnel ..	H. Jerger and A. Joyce ..	17873	2 May
Felt, Treatment of.. ..	F. H. Templar ..	18032	11 June ..	59	7 July.*
Fence ..	T. Boulton ..	17912	17 May ..	45	26 May.*
Fence-dropper ..	J. Pettitt ..	18011	9 June ..	54	23 June.*
Fence. (See Wire-fence.)					
Fencing-standard ..	R. McGillivray, jun. ..	18005	2 June ..	59	7 July.*
Fencing-standard ..	W. White..	18008	8 June ..	62	21 July.

ALPHABETICAL LIST OF INVENTIONS—continued.

Invention.	Name.	Application.		Gazette.	
		No.	Date.	No.	Date.
Fermentation of liquids	G. Johnston and P. R. Hare ..	17795	4 May, 1903†
Fermentation, Production of lactic ..	J. A. Gilruth	17940	23 May ..	49	9 June.*
Fibre-cleaner	W. Youlten	18065	21 June ..	62	21 July.*
Fibre dressing and washing	A. L. J. Tait	17683	22 March ..	36	28 April.
File, Newspaper-, and advertising-exhibitor ..	A. Divine	17964	25 May
Filter	G. Moore	18099	30 June ..	62	21 July.
Filter-bed, Distributing sewage over ..	J. P. Frengley	17782	14 April ..	36	28 April.*
Filter for slimes, Pressure- ..	W. A. Prichard	18044	15 June ..	62	21 July.
Fire-alarm and temperature-indicator ..	J. Gallagher	17996	4 June
Fire-bar	D. McMurrich	17853	29 April ..	45	26 May.
Fire-bridge for steam-boiler	J. Eckersley and W. Cable ..	18051	16 June ..	59	7 July.*
Fire-extinguisher	J. H. Hodge and I. Zlotkowski ..	17807	20 April ..	45	26 May.
Fire-kindler	E. T. Flood	17987	1 June ..	54	23 June.*
Fireproof, Making paper	C. Grosvenor	18014	6 June ..	54	23 June.*
Flanging drain-pipe	R. O. Clark, jun.	17932	17 May
Flanging earthenware pipe	A. J. Lindsay	18057	18 June ..	59	7 July.*
Flax, Chemical process for treating ..	J. Watson and W. Mackay ..	17906	11 May ..	45	26 May.*
Flax, Machinery for treating	J. Pomeroy	18110	29 June ..	62	21 July.*
Flax washer and scraper	C. E. E. Smith	17973	27 May ..	49	9 June.*
Flooring	J. G. F. Lund	17741	6 April ..	42	12 May.
Flooring-crimp	T. M. Dean and J. Harris ..	17831	25 April ..	42	12 May.*
Flower-pot	A. J. Eggleton	17858	25 April ..	45	26 May.
Flue, Double-circular, for register-grate ..	G. Ross	16587	1 July, 1903	36	28 April.
Fluid-pressure turbine	W. E. Hughes	17778	14 April, ..	42	12 May.
Flush-tap for water-closet	T. W. May	16600	8 July, 1903	45	26 May.
Flusher for water-closet	T. W. May	17944	19 May ..	49	9 June.*
Food, Apparatus for steaming animals' ..	W. J. Roebuck	18071	22 June ..	59	7 July.*
Food-mixer	W. V. Paley and T. H. Bussey ..	17720	31 March ..	36	28 April.
Football, Table-	A. W. Ford	18035	15 June ..	54	23 June.*
Forage, preparatory to compressing, Treat- ing	T. H. Mapp	17734	5 April ..	36	28 April.
Fountain-pen, Self-filling	J. McCombs	18004	6 June ..	54	23 June.*
Franking-machine	R. Wales	17822	21 April ..	42	12 May.*
Franking-machine, Coin-actuated	R. Wales	17860	26 April ..	42	12 May.*
Franking-machine, Coin-freed	E. Moss	18070	20 June ..	59	7 July.*
Friction-gearing	W. E. Hughes	16719	31 July, 1903	49	9 June.
Friction-gearing	W. E. Hughes	16720	31 July, 1903	49	9 June.
Friction-gearing for motor-cars, &c. ..	E. Bergmann	17992	1 June ..	59	7 July.
Fruit cleaner, Dried-	S. Mintrom	17827	25 April ..	42	12 May.*
Fuel-economiser and smoke-consumer ..	G. J. Cartwright	17945	25 May ..	54	23 June.
Funnel, Feeding-	H. Jerger and A. Joyce	17873	2 May
Furnace	White-Mylin Furnace Company ..	17800	19 April ..	45	26 May.
Furnace for burning cement	G. Gröndal	17842	27 April ..	45	26 May.
Furnace. (See Gas-furnace, Water-tube furnace.)					
Furniture, Window-	A. S. Coronel	17883	17 Dec., 1903	36	28 April.
Gambrel	A. Kileckmann and R. Thomson ..	17796	18 April ..	45	26 May.*
Game. (See Parlour-game, Table-cricket, Table-football.)					
Game, Apparatus for playing	A. Svenson	18000	7 June ..	59	7 July.
Gas-furnace	F. Cotton	16619	8 July, 1903	42	12 May.
Gas, Making producer and water ..	E. S. Baldwin and H. H. Ray- ward	17961	26 May
Gear. (See Driving-gear.)					
Gearing. (See Friction-gearing.)					
Generator for locomotive-engine	The New Century Engine (Foreign Patents) Company, Limited ..	17769	13 April ..	45	26 May.
Generator. (See Acetylene-gas generator, Electric generator, Power-generator.)					
Go-cart	W. Hale	17719	31 March ..	36	28 April.
Gold-dredging appliance	H. L. Mainland	17998	2 June ..	59	7 July.
Gold, Extracting, from ores	H. S. Stark	17905	9 May ..	49	9 June.
Gold, Extracting, from ores	O. L. Olden and P. V. Barnard ..	17810	21 April
Gold-saving matting	C. R. Hubbard	17854	25 April ..	42	12 May.*
Gold, Separating, from cyanide precipitates ..	H. L. Read	18077	23 June ..	59	7 July.*
Golf-club	L. W. Alexander	17736	28 March ..	36	28 April.*
Granulating soap, Apparatus for	The Hygienic Soap Granulator Company, Limited	17528	9 Feb. ..	49	9 June.
Grate	A. R. Hardy	17784	12 April ..	36	28 April.*
Grate, Register-, Flue for	G. Ross	16587	1 July, 1903	36	28 April.
Grub-destroying preparation, "White Pine" Gum from tapped trees, Catching ..	H. H. Montgomery and A. Masters ..	18001	7 June ..	59	7 July.
Gum. (See also Kauri-gum.)	A. J. McPharlin	16879	28 Aug., 1903	36	28 April.
Gun-barrel cleaner	A. Svenson	18031	13 June ..	54	23 June.*
Gun, Means for counteracting recoil in ..	McClellan Arms and Ordnance Company	17801	19 April ..	45	26 May.
Guttering of candles, Preventing	T. A. Nash	17826	25 April ..	42	12 May.*
Hair-curler	W. Hinchey	18080	23 June ..	59	7 July.*
Hairpin	F. Dovalosky	17927	17 May ..	49	9 June.*
Hairpin	F. Dovalosky	18105	28 June ..	59	7 July.*
Hammock	E. D. Richards	17893	11 May ..	45	26 May.*
Hand-shears	J. H. Harrison and W. M. Mc- Ilwrick	17894	11 May ..	45	26 May.*

ALPHABETICAL LIST OF INVENTIONS—continued.

Invention.	Name.	Application.		Gazette.	
		No.	Date.	No.	Date.
Hand-truck, Spring	T. Kendrick	17821	21 April ..	42	12 May.*
Handle from axe-head, Removing	J. O. Webber	17783	15 April ..	36	28 April.*
Handle in axe, Fitting	S. F. Clare	17903	4 May ..	54	23 June.
Handle in axe, Fitting	S. F. Clare	17461	9 Jan. ..	45	26 May.
Handle. (See also Spring-handle, Tin-handle.)					
Harbours, &c., Scouring	B. F. Dunn	17900	11 May ..	45	26 May.*
Harness-traces	G. F. Newman	18002	7 June
Harrow, Combined plough and Harvester. (See Potato-harvester.)	W. Snedden	17935	20 May ..	49	9 June.*
Hat-pin, Retaining in position	K. S. McKinna	17876	6 May ..	45	26 May.*
Hay-turning machine	W. E. Martin	17866	8 June, 1903†	49	9 June.
Heating wax-pots	United Shoe Machinery Company	18039	15 June ..	62	21 July.
Hedge-clipper	P. Eddy	17994	1 June
Hedge-cutter knife	G. F. Church	17015	23 Sept., 1903	49	9 June.
Heel for boot or shoe	H. B. Morrison	18074	23 June
Heel-pad, Electric	L. Nelken	17869	29 April ..	49	9 June.
Hinge for doors	J. A. Merrett	18052	16 June ..	62	21 July.
Holder. (See Book-holder, Brush-holder, Candle-holder, Cow-leg holder, Door-holder, Packing-holder, Skein-holder, Tobacco-plug holder, Wire-mattress holder.)					
Hoop, peg, &c., for parlour-games	C. E. Warden	17710	30 March ..	36	28 April.*
Horse, Attaching driving-rein to bit for curbing	G. T. Allnutt	18043	14 June ..	54	23 June.*
Horse-collar	J. M. Toft	18091	28 June
Horse-controlling device	Te Aarutaua	17970	30 May ..	49	9 June.*
Horseshoe	W. Tarrant	17888	7 May ..	49	9 June.
Hose-suspender	C. Wheeler	17886	9 May ..	49	9 June.
Hydraulic boring-apparatus	W. Wolski	17957	25 May ..	54	23 June.
Hydraulic press	T. H. Mapp	17735	5 April ..	42	12 May.
Hydraulic ram	W. E. and O. H. Barker	18072	22 June ..	62	21 July.
Hydraulic ram	H. Aldenhoven and S. Rosengarten	18009	8 June ..	59	7 July.
Igniter-mechanism for engine	J. T. Hunter	18041	15 June ..	62	21 July.
Incandescent electric lamp and switch	G. Sweetser	17662	16 Mar. ..	54	23 June.
Indicator, Temperature-	J. Gallagher	17996	4 June
Inhaling anæsthetics, Apparatus for	H. Gunthorp	16508	15 June, 1903	36	28 April.*
Ink-well	H. D. Atkinson	17790	16 April ..	36	28 April.*
Insecticide	H. H. Montgomery and A. Masters	18001	7 June ..	59	7 July.
Insole	J. Morrison	17878	30 April ..	45	26 May.*
Internal-combustion engine, Igniter-mechanism for	J. T. Hunter	18041	15 June
Ironsand into briquettes, Converting	T. Rouse and H. Cohn	16978	16 Sept., 1903	45	26 May.
Iron-stand and cloth-gripper, Laundry	C. H. Black and T. G. Haigh	18003	7 June ..	54	23 June.*
Jack, Wheel-	D. Dunn	18061	21 June
Jar or bottle, Airtight	A. S. Baker	17767	9 April ..	49	9 June.*
Jig-saw machine for cutting pockets in pulley-styles of windows, Attachment to	H. Harrison	17939	21 May ..	49	9 June.*
Judging sawing-events, Apparatus for	M. and T. Brown	18028	9 June ..	54	23 June.*
Kauri-gum, Bag for collecting	A. J. McPharlin	17059	3 Oct., 1903	36	28 April.
Kauri-gum cleaner	H. Carter and J. J. Evans	17851	26 April ..	45	26 May.
Kindler, Fire-	E. T. Flood	17987	1 June ..	54	23 June.*
Knife-cleaner	J. Pomeroy	18026	1 June ..	54	23 June.*
Knife. (See Hedge-cutter knife, Pruning-knife.)					
Lactic fermentation, Production of pure	J. A. Gilruth	17940	23 May ..	49	9 June.*
Lamp, Incandescent electric	G. Sweetser	17662	16 Mar. ..	54	23 June.
Lamp or lantern, Signal	The Lamp Manufacturing Company, Limited	17928	17 May ..	49	9 June.
Lamp-wick	H. G. James	18037	15 June ..	54	23 June.*
Latch-lock for gates, doors, &c.	W. Strange and T. Coverdale	17119	19 Oct., 1903	54	23 June.*
Laundry iron-stand and cloth-gripper	C. H. Black and T. G. Haigh	18003	7 June ..	54	23 June.*
Lead and zinc from sulphides, Extracting	A. H. Imbert	18112	30 June
Leaf turner, Music	G. S. Budge	16781	11 Aug., 1903	49	9 June.
Leather tire-cover	A. V. Philip and H. Hoverd	17933	17 May ..	49	9 June.*
Legging-fastener	A. O. P. Batley	18022	10 June
Letter-envelope	A. J. Withers	17972	30 May ..	54	23 June.*
Lid of trunk, Stay for keeping open	W. Madden and H. Hoverd	17780	11 April ..	36	28 April.*
Life-guard for tram-car, &c.	W. G. Fraser	17759	8 April ..	36	28 April.*
Lift-door and lif-saving apparatus	J. Jamison	17880	3 May ..	49	9 June.
Link-blade liner for centrifugal separator	E. A. Forsberg and B. Ljungström	17843	27 April ..	45	26 May.
Liquids, Apparatus for carbonating	H. T. Smith	18045	16 June ..	62	21 July.
Liquids, Fermentation of	G. Johnson and P. R. Hare	17795	4 May, 1903†
Liquids or semi-liquids, Mixing and circulating	F. C. Brown and S. D. McMiken	17982	25 May ..	54	23 June.*
Lock. (See Door-lock, Latch-lock, Sash-lock, Window-lock)					
Locomotive-engine and generator	The New Century Engine (Foreign Patents) Company, Limited	17769	13 April ..	45	26 May.

ALPHABETICAL LIST OF INVENTIONS—continued.

Invention.	Name.	Application.		Gazette.	
		No.	Date	No.	Date.
Malt-liquors, Manufacture of ..	M. H. Claussen ..	17771	13 April ..	42	12 May.
Marker, Book- ..	H. Selwood ..	17892	7 May ..	45	26 May.*
Marking board and cabinet, Billiard-	H. U. Alcock ..	17757	8 April ..	36	28 April.*
Massage or vibratile apparatus ..	J. H. King ..	17895	11 May ..	49	9 June.
Mat, Non-siltable ..	T. Hall and F. Elvines ..	17889	10 May ..	45	26 May.*
Match-box ..	F. J. Wilson ..	17733	5 April
Match-making machine ..	H. C. La Flamboy ..	17770	13 April ..	45	26 May.
Matting for gold-saving, &c. ..	C. R. Hubbard ..	17854	25 April ..	42	12 May.*
Mattress ..	H. E. Mitchell ..	17937	18 May
Mattress. (See also Wire Mattress.)					
Measuring-apparatus, Tailor's ..	S. Smith ..	17805	19 April ..	42	12 May.*
Measuring-instrument, Electrical ..	J. P. Campbell ..	17875	5 May ..	49	9 June.
Menstruation appliance ..	J. Pomeroy ..	17855	26 April ..	42	12 May.*
Metal, Loading road-truck with ..	F. Cooper ..	17942	21 May ..	49	9 June.*
Milk-cooler ..	W. A. Haxton ..	16581	3 July, 1903	36	28 April.
Milk, Destruction of bacteria in and pre-	I. F. Witting ..	17896	11 May ..	45	26 May.*
servation of ..					
Milk-pan ..	J. Paterson and E. Johns ..	18086	23 June ..	59	7 July.*
Milk-pasteuriser ..	W. A. J. Dutch ..	17969	30 May ..	49	9 June.*
Milk-strainer ..	F. Gough ..	16820	19 Aug., 1903	45	26 May.
Milk-weigher ..	C. Cooper ..	17288	25 Nov., 1903	45	26 May.
Milk-weigher, Counting and controlling	D. P. Davidson ..	17999	7 June ..	54	23 June.*
mechanism of ..					
Milking-apparatus ..	B. Bodycomb ..	16676	24 July, 1903	54	23 June.
Milking-appliances, Machine ..	J. Howcroft ..	17863	2 May ..	45	26 May.*
Mitre-cutter bar and stop ..	R. Dunne ..	16662	16 July, 1903	54	23 June.
Mixer. (See Food-mixer.)					
Mixing or circulating materials ..	F. C. Brown and S. D. McMiken ..	17982	25 May ..	54	23 June.*
Mixing-valve for explosive-engine ..	J. P. Campbell ..	17947	25 May ..	54	23 June.
Monkey-wrench ..	W. Gray ..	18094	28 June
Mop, Wash-up ..	H. J. Gentles ..	16859	26 Aug., 1903	54	23 June.
Motor ..	E. Tregear ..	18020	10 June ..	54	23 June.*
Motor cars, Friction-gearing for ..	E. Bergmann ..	17992	1 June ..	59	7 July.
Motor reaper and binder ..	M. J. Tehan and T. C. Wright ..	17848	27 April
Motor tire-protector ..	H. J. Whitelaw ..	17712	31 Mar. ..	36	28 April.*
Motor vehicle ..	Olds Motor Works ..	18023	8 June ..	62	21 July.
Motor. (See Steam-turbine motor, Car-					
bonic-acid motor.)					
Mould. (See Soap-mould, Cake-mould.)					
Mouthpiece for tobacco-pipe ..	C. Peterson ..	17838	27 April
Muffle ..	The Morgan Crucible Company, Limited	17776	14 April ..	42	12 May.
Music, Instrument to familiarize sight and	W. P. Simmonds ..	17509	3 Feb. ..	42	12 May.*
sound in ..					
Music leaf-turner ..	G. S. Budge ..	16781	11 Aug., 1903	49	9 June.
Nail-handling appliance ..	Ah Pat ..	17799	18 April ..	42	12 May.
Name and sign plates, Construction of ..	E. Veray ..	18098	30 June ..	59	7 July.*
Nib. (See Pen-nib.)					
Nightsoil and refuse pan ..	J. Paterson and E. Johns ..	18086	23 June ..	59	7 July.*
Nightsoil-pan, Securing in position cover of	J. T. Hunter ..	17978	31 May ..	49	9 June.*
Non-refillable bottle ..	J. King ..	17833	27 April ..	42	12 May.*
Non-refillable bottle ..	R. Dunne ..	17967	23 May ..	49	9 June.*
Non-siltable mat ..	T. Hall and F. Elvines ..	17889	10 May ..	45	26 May.*
Noxious weeds, Destroying ..	A. Grainger ..	17901	11 May ..	45	26 May.*
Numbering and printing machine ..	D., D., A. L., and J. W. Carlaw ..	17997	1 June ..	59	7 July.
Nut-wrench ..	J. Adams ..	18084	22 June
Ofal, Treating ..	J. B. Hay and A. J. Daniel ..	17797	18 April ..	42	12 May.*
Oil-engine tractor ..	J. Macalister ..	17762	6 April ..	42	12 May.*
Optical effects, Apparatus for producing ..	C. V. J-nkins ..	17745	7 April ..	31	14 April.*
Ore-concentrator, Actuating shaking-table	N. Guthridge, Limited ..	17893	11 May ..	49	9 June.
Ore-concentrator, Shaking-table ..	N. Guthridge, Limited ..	17897	11 May ..	49	9 June.
Ore-concentrator, Shaking-table ..	N. Guthridge, Limited ..	17899	11 May ..	45	26 May.*
Ore crusher and amalgamator ..	H. Jones ..	16797	14 Aug., 1903	49	9 June.
Ores, Extracting gold from ..	H. S. Stark ..	17905	9 May ..	49	9 June.
Ores, Extracting gold from ..	O. L. Olden and P. V. Barnard ..	17810	21 April
Oven, Bakers' ..	C. F. F. Allan ..	17971	30 May ..	49	9 June.*
Package or case, Export ..	G. Cheverton and J. T. Johnson ..	17887	9 May ..	49	9 June.*
Packing-holder for circular saw ..	R. Wales ..	16654	15 July, 1903	54	23 June.
Pan. (See Milk-pan, Nightsoil-pan, Re-					
fuse-pan.)					
Paper-bag ..	E. G. F. Zohrab and W. C. Greig ..	17913	17 May
Paper, Mixture for making fireproof ..	C. Grosvenor ..	18014	6 June ..	54	23 June.*
Parlour-game, Hoop, peg, &c., for ..	C. E. Warden ..	17710	30 Mar. ..	36	28 April.*
Pasteuriser, Milk- ..	W. A. J. Dutch ..	17969	30 May ..	49	9 June.*
Patterns, Chart for garment- ..	M. E. McLeod ..	16183	4 April, 1903	59	7 July.
Pedal. (See Bicycle-pedal.)					
Peg, hoop, &c., for parlour-game ..	C. E. Warden ..	17710	30 Mar. ..	36	28 April.*
Pen-nib attachment for retaining ink ..	R. L. Stewart ..	17813	21 April ..	42	12 May.*
Pen. (See Fountain-pen.)					
Petrol-carburetter ..	W. Stokes, jun. ..	17960	26 May ..	49	9 June.*
Phormium tenax. (See Flax.)					
Piano-attachment ..	F. W. Gardiner ..	17870	4 May

ALPHABETICAL LIST OF INVENTIONS—continued.

Invention.	Name.	Application.		Gazette.	
		No.	Date.	No.	Date.
Pie-making machine	W. Wood	17916	14 May ..	45	26 May.*
Pigeon-trap	J. Rose	17959	26 May ..	49	9 June.*
Pig-trough	P. J. Devine	18095	24 June ..	59	7 July.*
Pin. (See Brooch-pin, Hairpin, Hat-pin.)					
Pipe. (See Concrete pipe, Drain-pipe, Earthenware pipe, Socket-pipe, Tobacco-pipe.)					
Plant-pot	A. J. Eggleton	17858	25 April ..	45	26 May.
Plough, Actuating lever-wheel of multi-furrow	R. Paterson	16580	3 July, 1903	36	28 April.
Plough and harrow, Combined	W. Snedden	17935	20 May ..	49	9 June.*
Plough-coulter, Spring-attachment for	W. Williams	16673	23 July, 1903	45	26 May.
Plough. (See Disc-plough, Ditch-plough, Water-race plough.)					
Post-hole borer	A. Currie and R. Anderson	16916	4 Sept., 1903	54	23 June.
Pot. (See Flower-pot, Plant-pot, Wax-pot.)					
Potato-harvester	F. McDougall	17742	6 April ..	31	14 April.*
Power-generator, Tidal-water	H. M. Meinung	17814	21 April ..	54	23 June.
Power, Transmission of	E. Dugan	17921	19 May ..	49	9 June.*
Preservation of milk	I. F. Witting	17896	11 May ..	45	26 May.*
Preserving timber, Method of	R. W. Harvey	17678	18 Mar. ..	49	9 June.*
Press. (See Baling-press, Hydraulic press.)					
Printer and sizer, Butter	A. Christie	18007	4 June ..	59	7 July.
Printing and numbering machine	D., D., A. L., and J. W. Carlaw	17997	1 June ..	59	7 July.
Printing-machine	T. M. North	17845	15 May, 1903†	62	21 July.
Produce and water gas, Making	E. S. Baldwin and H. H. Raymond	17961	26 May
Projectile	J. Pomeroy	18025	1 June ..	54	23 June.*
Protector, Ladies'	A. M. Normanby	17934	18 May ..	49	9 June.*
Protector, Ladies'	F. W. Rodgers	18068	18 June ..	59	7 July.*
Protector. (See Motor tire-protector.)					
Protectors, Machine for making and inserting	United Shoe Machinery Company	17922	19 May ..	49	9 June.*
Pruning-knife	J. Pearson	18034	14 June ..	62	21 July.*
Pulley and vehicle wheels	T. Gare	17989	1 June ..	59	7 July.
Pulleys, Driving-gear for	C. F. Jaehn and W. Emling	17949	25 May ..	54	23 June.
Pulling-over machine	United Shoe Machinery Company	16817	10 Aug., 1903	54	23 June.
Pulling-over machine	United Shoe Machinery Company	18018	9 June ..	59	7 July.
Pump. (See Californian pump, Centrifugal pump.)					
Pumping water, Apparatus for	A. E. and H. G. Bradley	18102	30 June
Puzzle, Advertising-	H. T. Harding and A. F. Billing	17829	25 April ..	42	12 May.
Rabbits, Compound for destroying	H. H. Patterson and J. R. Stevenson	17779	14 April ..	42	12 May.
Rabbit-trap	M. Slattery	17753	7 April
Race-starter	J. A. Winten	17426	30 Dec., 1903	54	23 June.
Race-starting appliance	R. S. Reid	17773	13 April
Rack. (See Toasting-rack, Curd-rack.)					
Raft, Ship's	T. J. Ross	18079	23 June ..	59	7 July.*
Railway-car, &c., Door for	H. J. Manson	16611	10 July, 1903	49	9 June.
Railway signalling apparatus	G. M. Scott	17891	6 May ..	45	26 May.*
Rain-excluder for door	J. Lindsay	16651	17 July, 1903	59	7 July.
Rain-proof coat	T. Morris	17788	12 April ..	36	28 April.*
Ram. (See Hydraulic ram.)					
Reading desk and table, Aerial	J. Jamison	17930	16 May ..	54	23 June.
Reaper-and-binder, Motor	M. J. Tehan and T. C. Wright	17848	27 April
Recoil, Counteracting, in guns	McClellan Arms and Ordnance Company	17801	19 April ..	45	26 May.
Recorder, Vote-	F. W. Paterson	17915	14 May ..	45	26 May.*
Refuse and nightsoil pan	J. Paterson and E. Johns	18086	23 June ..	59	7 July.*
Register-grate, Flue for	G. Ross	16587	1 July, 1903	36	28 April.
Register, Voting-	W. Dall	18111	30 June ..	62	21 July.*
Rein, Attaching, to bit for curbing horse..	G. T. Allnutt	18043	14 June ..	54	23 June.*
Reservoir, Controlling contents of high-pressure soda-water	A. J. L. Eckersley	17721	31 Mar. ..	36	28 April.
Retainer. (See Umbrella-tip retainer.)					
Riding-saddle	A. Lappan	16866	27 Aug., 1903	49	9 June.
Riding-saddle	A. Little	17812	21 April ..	42	12 May.*
River-bottoms, &c., Scouring	B. F. Dunn	17900	11 May ..	45	26 May.*
Road-truck, Loading, with metal	F. Cooper	17942	21 May ..	49	9 June.*
Road-wheel, Expansive	J. J. Coakley and A. C. McCallum	17603	2 Mar. ..	54	23 June.
Rock-drill, Lifting and turning	C. Simmons	17521	18 Mar., 1903†	45	26 May.
Roofing, corrugated-iron, Securing, on stacks	A. J. Ross	16514	10 July, 1903	45	26 May.
Rotary electric machine	J. P. Campbell	18066	21 June ..	62	21 July.
Rotary engine, Reversible	H. E. Parry, R. W. Thomson, and W. J. Farley	18078	23 June ..	62	21 July.
Roundabout, Means for actuating	F. C. H. Hammerich	17765	12 April ..	36	28 April.*
Rug-fastening attachment, Horse and cow	P. Harrison	17750	6 April ..	31	14 April.*
Saddle. (See Riding-saddle.)					
Safety-appliance for vehicle	J. Meek	17755	7 April ..	36	28 April.*

ALPHABETICAL LIST OF INVENTIONS—continued.

Invention.	Name.	Application.		Gazette.	
		No.	Date.	No.	Date.
Salt, Manufacture of	H. Tee	18050	16 June ..	62	21 July.
Sandal	O. Petersen	17304	26 Nov., 1903	49	9 June.
Sash adjuster and fastener	J. Jamison	17859	26 April ..	45	26 May.
Sash-fastener	R. Baxter	16559	24 June, 1903	42	12 May.
Sash-fastener	L. Pearce	17990	1 June ..	59	7 July.
Sash-mover lock and alarm	A. R. Hardy	17785	12 April ..	36	28 April.*
Sash-mover and lock	R. N. Adams and A. R. Hardy ..	17786	12 April ..	36	28 April.*
Sash. (See also Window-sash.)					
Sawing-events, Apparatus for judging	M. and T. Brown	18028	9 June ..	54	23 June.*
School-desk, Easel-attachment for	E. Hooper	17943	23 May ..	54	23 June.*
Scoop, Hand-	H. S. Anderson	18096	24 June ..	59	7 July.*
Scouring river-bottoms	B. F. Dunn	17900	11 May ..	45	26 May.*
Scutching attachment, Water-	H. Seifert	17819	20 April ..	42	12 May.*
Seal, Bottle-	L. B. Schram	17706	29 Mar. ..	36	28 April.
Seed-cleaner, Rye-grass	J. B. Waters, W. Andrews, and A. W. Beaven	17743	6 April ..	42	12 May.
Seed-separator	F. R. Dennison	17715	21 April ..	45	26 May.
Seed-sower	J. Gray	16528	19 June, 1903	49	9 June.
Seed-sower	J. Gray	17968	30 May ..	54	23 June.
Seed sower and ridger	T. W. Soper	18093	28 June ..	59	7 July.*
Separator. (See Centrifugal separator, Seed-separator.)					
Sewage over filter-bed, Distributing	J. P. Frengley	17782	14 April ..	36	28 April.*
Sewage, Treatment of	J. P. Frengley	18081	24 June ..	59	7 July.*
Shackle	W. Beamish	17794	14 April ..	42	12 May.*
Shackle	F. T. Page	18021	10 June ..	54	23 June.*
Shears. (See Hand-shears.)					
Shears, Wolseley machine-	J. Howard	17836	27 April ..	45	26 May.
Sheep-dip, Traversing-feeder to	J. Coop	17908	14 May
Sheep dipping or loading, Alley-way for	C. Rask and E. A. Cameron	17731	30 Mar. ..	36	28 April.*
Ships, Anti-fouling composition for	J. B. Hannay	18036	15 June
Ship's boat, Releasing and lowering	J. Stuart	17890	10 May ..	49	9 June.
Ship's raft	T. J. Ross	18079	23 June ..	59	7 July.*
Shoe. (See Boot and shoe, Horseshoe.)					
Shot-making machine	A. G. Baker, C. and G. Croxford, and J. McQueen	16303	1 May, 1903	49	9 June.
Shutter or blind, Collapsible	G. McMullen	17832	27 April ..	42	12 May.
Sights and fittings for small-arms	J. T. Peddie	17919	18 May ..	49	9 June.
Signal-apparatus	Hall Signal Company	17917	18 May ..	54	23 June.
Signalling-apparatus, Railway	G. M. Scott	17891	6 May ..	45	26 May.*
Sign plates, Name and	E. Verey	18098	30 June ..	59	7 July.*
Skein holder, Wool-	S. H. Day	18060	21 June ..	62	21 July.*
Skiving-machine	United Shoe Machinery Company ..	17923	19 May ..	49	9 June.*
Skiving-machine for boots and shoes	United Shoe Machinery Company ..	17840	27 April ..	42	12 May.*
Slimes, Pressure-filter for	W. A. Pritchard	18044	15 June ..	62	21 July.*
Slimes, Purification of	H. L. Read	18076	23 June ..	59	7 July.*
Small-arms, Sights and fittings for	J. T. Peddie	17919	18 May ..	49	9 June.
Smoke-consumer and fuel-economiser	G. J. Cartwright	17945	25 May ..	54	23 June.
Smoke-consumer and spark-arrester	S. Nicolson	18012	8 June ..	54	23 June.*
Snatch-block, Releasing	J. S. Keith, J. Hutcheson, and T. Wilson	17904	12 May
Snips	J. H. Harrison and W. M. Mc- Ilwrick	17894	11 May ..	45	26 May.*
Soap-mould and granulator	The Hygienic Soap Granulator Company, Limited	17528	9 Feb. ..	49	9 June.
Sock, Electric	J. W. Fowler	18017	9 June ..	54	23 June.*
Socket-pipes	J. Paterson and H. M. Corin	18090	25 June ..	62	21 July.*
Soda-water reservoir, Controlling con- tents of	A. J. L. Eckersley	17721	31 Mar. ..	36	28 April.
Sole. (See Boot-sole.)					
Sower. (See Seed-sower.)					
Spanner, Shifting-	A. W. Gillies	18083	24 June ..	59	7 July.*
Spark-arrester	G. Grimmer	18089	27 June ..	59	7 July.*
Spark-arrester and draught-producer	H. S. Wainwright	17713	25 Sept., 1903+	36	28 April.
Spark-arrester and draught-producer	H. S. Wainwright	17714	15 Oct., 1903+	36	28 April.
Spark-arrester and smoke-consumer	S. Nicolson	18012	8 June ..	54	23 June.*
Spring-handle for bucket	S. H. Day	17652	14 Mar. ..	36	28 April.*
Spring hand-truck	T. Kendrick	17821	21 April ..	42	12 May.*
Spring-winder for eyeglass-cord	A. H. Brownley	16544	22 June, 1903	36	28 April.
Sprinkler-attachment for bottle	G. L. Cole	16742	5 Aug., 1903	45	26 May.
Sprocket driving-gear for cycles	W. Trainor and C. F. R. Pincott ..	17966	26 May ..	49	9 June.*
Stacks, Securing corrugated-iron roofing on	A. J. Ross	16614	10 July, 1903	45	26 May.
Stamping-machine	United Shoe Machinery Company ..	17841	27 April ..	42	12 May.*
Stamping-machine, Coin-freed	E. Moss	18070	20 June ..	59	7 July.*
Standard. (See Fencing-standard.)					
Steam-boiler, Fire-bridge for	J. Eckersley and W. Cable	18051	16 June ..	59	7 July.*
Steam-boiler, Water-tube furnace for	J. M. Harding	17700	23 Mar. ..	36	28 April.*
Steaming food for animals, Apparatus for	W. J. Roebuck	18071	22 June ..	59	7 July.*
Steam-turbine motor	W. Whitlock	17744	7 April ..	31	14 April.*
Stencil plates	R. Wales	17983	28 May ..	54	23 June.*
Stiffener for bottoms of legs of trousers	L. Marks	17763	4 April ..	42	12 May.
Stirrer, Mechanical	E. S. Smith	16807	13 Aug., 1903	54	23 June.
Stirrup-iron, Spring	P. B. Ross	17938	21 May ..	49	9 June.*
Stop-valve, Ball-cock and	R. Orwin and A. Jack	17834	27 April ..	42	12 May.*

ALPHABETICAL LIST OF INVENTIONS—continued.

Invention.	Name.	Application.		Gazette.	
		No.	Date.	No.	Date.
Strainer. (See Milk-strainer, Wire-strainer.)					
Stretcher. (See Trouser-stretcher.)					
Strips, Cutting material into ..	A. G. Baker	17618	2 Mar. ..	49	9 June.
Suspender. (See Clothes-suspender, Coat-suspender, Hose-suspender.)					
Syringe, Vaginal	W. J. Gruss	17781	14 April ..	42	12 May.
Table-bracket	H. F. Lattey and W. G. Somerville	16564	26 June, 1903	36	28 April.
Table-cricket	W. Davis	18024	8 June ..	54	23 June.*
Table-cricket	S. Churchill-Otton and M. P. Dunlop	17837	27 April ..	42	12 May.*
Table-football	A. W. Ford	18035	15 June ..	54	23 June.*
Table, Reading desk and ..	J. Jamison	17930	16 May ..	54	23 June.
Table. (See Billiard-table, Dining and billiard table, Drawing-table.)					
Tailor's measuring-apparatus ..	S. Smith	17805	19 April ..	42	12 May.*
Tap. (See Flush-tap.)					
Target, Electrically operated ..	G. A. Peters	18006	4 June ..	59	7 July.
Telegraph-apparatus	H. C. Braun	18064	21 June ..	62	21 July.*
Telegraphic transmitter	A. Battaglia-Guerrieri	17824	25 April ..	49	9 June.
Telephone, Rotating diaphragm for	S. Churchill-Otton	17723	31 Mar. ..	36	28 April.
Temperature-indicator and fire-alarm	J. Gallagher	17996	4 June
Tension of elevator-belt, Regulating	A. Werner, W. G. Breach, and J. Fussell	17806	19 April ..	42	12 May.*
Thimble	A. O. Grundy	17804	19 April ..	42	12 May.*
Threshing-machine	W. Andrews and A. W. Beaven ..	17211	5 Nov., 1903	45	26 May.
Ticket-dater	W. P. Nolan	16212	6 April, 1903	45	26 May.
Ticket punching and recording, Bell-sounding instrument for	E. Cornwall-Cook	17885	5 May ..	45	26 May.*
Tidal-water power-generator ..	H. M. Meinung	17814	21 April ..	54	23 June.
Timber, Preserving	R. W. Harvey	17678	18 Mar. ..	49	9 June.*
Tin handle and support	W. G. Hancox	16374	19 May, 1903	36	28 April.
Tins, Fixing tops and bottoms on	T. Harkins	17850	26 April ..	45	26 May.
Tins or cans, Closing filled ..	G. W. Berry	18047	16 June ..	54	23 June.*
Tins or cans, Keyless tearing-strip for	G. W. Berry	18049	16 June ..	54	23 June.*
Tins or cans, Vents of	G. W. Berry	18048	16 June ..	54	23 June.*
Tip-wagon for traction haulage	F. Cooper	17941	21 May ..	49	9 June.*
Tire. (See Motor tire.)					
Tire	J. Thomson	17760	6 April ..	36	28 April.*
Tire, Compound for manufacture of	J. Turnbull and S. Nicolson	17909	16 May ..	45	26 May.*
Tire-cover	T. S. Skeates	18059	13 June ..	59	7 July.*
Tire-cover	W. R. Crook	17963	21 May ..	54	23 June.*
Tire-cover	H. Lightband	17548	17 Feb. ..	45	26 May.
Tire-cover, Leather	A. V. Philip and H. Hoverd	17933	17 May ..	49	9 June.*
Toasting-rack	J. Paterson	17856	27 April ..	42	12 May.*
Tobacco-pipe cleaner	M. A. E. Kelly	17747	8 April ..	36	28 April.*
Tobacco-pipe mouthpiece	C. Peterson	17838	27 April
Tobacco-pipe, Preventing stopping in	A. M. McDonald	18088	27 June ..	59	7 July.*
Tobacco-plug holder and cutter	J. H. Cobb	16291	29 April, 1903	42	12 May.
Torpedo-boats, Defensive armour for	E. H. Featon	18055	17 June ..	59	7 July.*
Totalisator	G. H. Wallace and W. H. Lowthen	17975	31 May
Totalisator	G. H. Wallace and W. H. Lowthen	17974	31 May ..	49	9 June.*
Totalisator	D. M. Robertson	17882	7 May ..	45	26 May.*
Traces, Harness	G. F. Newman	18002	7 June
Traces to whipple-tree, Attaching	J. Morgan	18067	21 June ..	59	7 July.*
Traction haulage, Tip-wagon for	F. Cooper	17941	21 May ..	49	9 June.*
Tractor. (See Oil-engine tractor, Engine-tractor.)					
Tram-car, Life-guard for	W. G. Fraser	17759	8 April ..	36	28 April.*
Tram-car, Life-saving attachment for	J. W., J. S., and W. H. Faulkner	17929	16 May ..	49	9 June.*
Trap. (See Bird-trap, Pigeon-trap, Rabbit-trap.)					
Travelling-race for sheep-dipping	C. Rask and E. A. Cameron ..	17731	30 Mar. ..	36	28 April.*
Traversing-feeder for sheep-dip	J. Coop	17908	14 May
Tray, Domestic draining	F. Staines	18010	9 June ..	59	7 July.
Trees, Catching gum from tapped	A. J. McPharlin	16879	28 Aug., 1903	36	28 April.
Trolley-pole for electric car ..	J. W. Rooney	17818	20 April ..	42	12 May.*
Trolley-wheel of electric car ..	S. Symington	17907	14 May ..	49	9 June.
Trough, Pig	P. J. Devine	18095	24 June
Trouser-stiffener	L. Marks	17763	11 April ..	42	12 May.
Trouser-stretcher	G. Holford	16704	29 July, 1903	45	26 May.
Truck. (See Hand-truck, Road-truck.)					
Trunk-lid open, Stay for keeping	W. Madden and H. Hoverd ..	17780	11 April ..	36	28 April.*
T-square, drawing-board and easel	E. Gillow	16969	12 Sept., 1903	54	23 June.
Turbine. (See Steam-turbine, Fluid-pressure turbine.)					
Turning-machine, Hay, clover, &c.	W. E. Martin	17866	8 June, 1903†	49	9 June.
Umbrella-tip retainer	P. Kahlenberg	16605	6 July, 1903	42	12 May.
Upholstery and carpet beater ..	F. O. R. Jagusch	17803	15 April ..	42	12 May.
Urn	W. T. Keogh	18013	4 June ..	54	23 June.*
Vaginal syringe	W. J. Gruss	17781	14 April ..	42	12 May.
Valve. (See Stop-valve, Exhaust-valve, Mixing-valve.)					

ALPHABETICAL LIST OF INVENTIONS—*continued.*

Invention.	Name.	Application.		Gazette.	
		No.	Date.	No.	Date.
Vehicle and pulley wheels	T. Gare	17989	1 June ..	59	7 July.
Vehicle-bearings	E. and C. Johanson	17925	19 May ..	49	9 June.
Vehicle draw-bar attachment	G. S. Stevenson	16458	9 June, 1903	36	28 April.
Vehicle, Safety-appliance for	J. Meek	17755	7 April ..	36	28 April.*
Venetian-blind	G. M. Scott	18103	28 June ..	59	7 July.*
Vents of tins or cans	G. W. Berry	18048	16 June ..	54	23 June.*
Vermin-destruction compound	H. H. Patterson and J. R. Stevenson	17779	14 April ..	42	12 May.
Vibratile or massage apparatus	J. H. King	17895	11 May ..	49	9 June.
Voltage of alternating current, Varying	W. E. Hughes	17872	4 May ..	49	9 June.
Voltage of electric generator, Controlling	Electric and Train-lighting Syndicate, Limited	17953	25 May
Vote-recorder	F. W. Paterson	17915	14 May ..	45	26 May.*
Voting-register	W. Dall	18111	30 June ..	62	21 July.*
Wagon. (See Tip-wagon, Dumping and spreading wagon.)					
Wall-bracket	H. F. Lattey and W. G. Somerville	16564	26 June, 1903	36	28 April.
Walls, Construction of	P. R. Hudson	17881	7 May ..	45	26 May.*
Wardrobe	S. W. Bonsall	17950	25 May ..	54	23 June.
Washer to prevent nut working loose	J. Penrose and W. Osborn	17883	6 May ..	49	9 June.*
Washing and dressing fibre	A. L. J. Tait	17683	22 Mar. ..	36	28 April.
Washing and scraping flax	C. E. E. Smith	17973	27 May ..	49	9 June.*
Washing-machine	J. Arnold	18029	13 June ..	62	21 July.
Washing-machine	C. Butler	17338	3 Dec., 1903	54	23 June.
Washing-machine	R. F. Marsh	17988	1 June
Wash-up mop	H. J. Gentles	16859	26 Aug., 1903	54	23 June.
Water, Apparatus for pumping	A. E. and H. G. Bradley	18102	30 June
Water-closet flush	T. W. May	16600	8 July, 1903	45	26 May.
Water-closet flush	T. W. May	17944	19 May ..	49	9 June.*
Water, Conveying, to dredge	W. Sasse	17902	9 May ..	49	9 June.*
Water gas, Making producer and	E. S. Baldwin and H. H. Rayward	17961	26 May
Waterproof coat	S. Weingott and Sons, Limited	18030	13 June ..	54	23 June.*
Waterproof dubbin	A. Morris	17830	25 April ..	45	26 May.*
Water, Putting down concrete beneath	J. Davies	18058	18 June ..	59	7 July.*
Water-race plough	W. H. Clement	18069	20 June ..	59	7 July.*
Water-scutching attachment	H. Seifert	17819	20 April ..	42	12 May.*
Water-tube furnace for steam-boiler	J. M. Harding	17700	23 Mar. ..	36	28 April.*
Water-wheel	G. S. Stevenson	17993	31 May ..	54	23 June.*
Wax-pots, Heating	United Shoe Machinery Company	18039	15 June ..	62	21 July.
Weatherboards, Substitution of steel and iron for	J. Campbell	17985	30 May
Weed-eradicator	W. A. P. Sutton	17995	1 June ..	54	23 June.*
Weeds. (See Noxious.)					
Weigher. (See Milk-weigher.)					
Wheel-jack	D. Dunn	18061	21 June
Wheel. (See Water-wheel, Road-wheel, Vehicle and pulley wheels.)					
Whipple-tree, Attaching traces to	J. Morgan	18067	21 June ..	59	7 July.*
Wick, Lamp	H. G. James	18037	15 June ..	54	23 June.*
Window-fastener	P. Gavin	16545	22 June, 1903	42	12 May.
Window-furniture	A. S. Coronel	17383	17 Dec., 1903	36	28 April.
Window, Jig-saw machine for cutting pockets in pulley-styles of	H. Harrison	17939	21 May ..	49	9 June.*
Window-lock	A. Parker	17955	25 May ..	49	9 June.*
Window-sash balance	A. G. Jackson	18062	16 June
Window-sash, Balancing	J. Petrie	18092	28 June ..	59	7 July.*
Window-sash, Draught and dust excluder for	A. Parker	17956	25 May ..	49	9 June.*
Window-sash hanger	A. Mole	17715	31 Mar. ..	54	23 June.
Window-sash lift	J. Penrose and W. Osborn	17883	6 May ..	49	9 June.*
Window-sash, Means for sustaining	L. B. Horrocks	17774	13 April ..	42	12 May.*
Window-sash, Raising, lowering, and retaining	C. A. Bergersen	17104	15 Oct., 1903	59	7 July.
Wire-coiler	R. and F. Fenwick	16830	21 Aug., 1903	45	26 May.
Wire-fence dropper	G. Powell	17764	11 April ..	42	12 May.
Wire-fence dropper	A. Georgetti	17772	13 April ..	36	28 April.*
Wire mattress	D. McKenzie	17931	17 May ..	49	9 June.*
Wire-mattress holder	N. Hill	17635	5 Mar. ..	36	28 April.*
Wire strainer, winder, and fixer	J. B. R. Davidson and J. W. Borland	17877	6 May ..	45	26 May.*
Wolseley machine-shears	J. Howard	17836	27 April ..	45	26 May.
Wool-scouring apparatus	A. Weaver	17746	8 April ..	42	12 May.
Wrench. (See Monkey-wrench, Nut-wrench.)					
Yeast, Production of	N. H. Claussen	17771	13 April ..	42	12 May.
Zinc and lead, Extracting, from their sulphides	A. H. Imbert	18112	30 June

List of Applicants for Registration of Trade Marks.

ALPHABETICAL list of applicants for registration of trade marks for quarter ending the 30th June, 1904 (including also applications lodged prior to but gazetted during such quarter).

Name.	Address.	Class.	Application.		Gazette.	
			No.	Date.	No.	Date.
Æolian Company, The	New York, U.S.A. ..	9	4733, 4	25 May
Aktiengesellschaft Für Feinmechanik Vormals Jetter and Scheerer	Tuttlingen, Germany ..	11	4670	14 April ..	36	28 April.
Atkins, H.	Cape Town, Cape Colony	42	4516	13 Jan. ..	54	23 June.
Australian Manufacturing and Importing Company, The	Wellington, N.Z. ..	48	4766	13 June ..	54	23 June.
Barnett Company, G. and H. ..	Philadelphia, U.S.A. ..	12	4679	21 April ..	36	28 April.
Barr, J.	Wellington, N.Z. ..	1	4749, 4750	6 June ..	54	23 June.
Baxter, J. S.	Invercargill, N.Z. ..	42	4773	18 June ..	54	23 June.
Beattie, Lang, and Co.	Wellington, N.Z. ..	42	4776	18 June
Benjamin and Co., D.	Dunedin, N.Z. ..	45	4789	27 June ..	59	7 July.
Blackie, H. G.	Auckland, N.Z. ..	42	4683, 6	22 April ..	36	28 April.
Blackie, H. G.	Auckland, N.Z. ..	42	4684, 5	22 April
Blau, J., and another	Buda-Pesth, Hungary ..	12	4729	23 May ..	45	26 May.
Brigham, J., and another ..	Manchester, Eng. ..	3	4720	14 May
British-American Tobacco Company, Limited	London, Eng. ..	45	4386	18 Sept., 1903	36	28 April.
British-American Tobacco Company, Limited	London, Eng. ..	45	4688	22 April ..	36	28 April.
Brown, Limited, R.	Glasgow, Scot.; London, Eng.	43	4759	9 June ..	54	23 June.
Brown, F.	Wellington, N.Z. ..	39	4785	23 June ..	59	7 July.
Bycroft and Co.	Palmerston North, N.Z.	22	4791, 2	30 June ..	59	7 July.
Chrystal and Co. (See Neill and Co., Limited.)						
Clemson, G. N.	Middleton, U.S.A. ..	12	4711, 2	6 May ..	45	26 May.
Close, J., and another	Napier ..	43	4751-3	6 June ..	54	23 June.
Cocker, H.	New Plymouth, N.Z. ..	42	4611	16 Mar. ..	49	9 June.
Coles and Co., G. A.	Auckland, N.Z. ..	38	4682	22 April ..	45	26 May.
Craig, J. J.	Auckland, N.Z. ..	6	4772	17 June
Craig, J. J.	Auckland, N.Z. ..	6	4778	21 June ..	59	7 July.
Crompton and Bros., Limited, J. R. ..	Bury, Eng.	39	4731	25 May ..	49	9 June.
Day, Son, and Hewitt. (See T. G. and G. S. Hewitt.)						
Deimel Fabric Company, The ..	London, Eng. ..	38	4610	16 Mar. ..	36	28 April.
Dried Milk Company, Limited, The ..	London, Eng. ..	42	4710	6 May ..	42	12 May.
Elder Art Company, D. M. (See D. Elder.)						
Elder, D.	Christchurch, N.Z. ..	39	4771	15 June
Forbes, E. J.	Sydney, N.S.W., and Wellington, N.Z.	8	4748	4 June ..	49	9 June.
Frimley Canning Factory	Hastings, N.Z. ..	42	4735-9	25 May ..	49	9 June.
Gallagher, Limited	Belfast, Ireland ..	45	4658, 9, 4660, 1, 2	6 April ..	31	14 April.
Gavin, Gibson, and Co.	Melbourne, Vic. ..	38	4415	13 Oct., 1903	42	12 May.
Gavin, Gibson, and Co.	Melbourne, Vic. ..	38	4457	26 Nov., 1903	49	9 June.
Graaff and Co., G.m.b.H.	Berlin, Germany ..	6	4756	8 June ..	54	23 June.
Guthridge, Limited, N.	Australia and N.Z. ..	20	4090	14 Feb., 1903	49	9 June.
Hall and Co., Limited, J.	Christchurch, N.Z. ..	42	4746	2 June ..	59	7 July.
Harper and Co. Proprietary, Limited, R.	Melbourne, Vic. ..	42	4535	21 Jan. ..	49	9 June.
Harvey, W. J.	Auckland, N.Z. ..	3	4642	5 April ..	31	14 April.
Hayman and Co., P.	Dunedin, N.Z. ..	12	4730	23 May ..	45	26 May.
Hewitt, G. S., and another ..	London, Eng. ..	2	4695	27 April ..	49	9 June.
Hewitt, T. G., and another ..	London, Eng. ..	2	4695	27 April ..	49	9 June.
Hibbert, M., and another ..	Manchester, Eng. ..	3	4720	14 May
Hibbert, W. (See J. Brigham and M. Hibbert.)						
Isaacs, H., and another	Dunedin, N.Z. ..	12	4729	23 May ..	45	26 May.
Kilpatrick, R.	Wellington, N.Z. ..	42	4705	4 May ..	42	12 May.
Leibner, A.	Melbourne, Vic. ..	42	4702	27 April
Lever Bros., Limited	Balmain, N.S.W. ..	50, 48, 47, 47, 48, 2, 3, 47, 50, 47, 48	4645-55	6 April ..	31	14 April.
Liquid Ozone Company, The ..	Chicago, U.S.A. ..	3	4767	15 June ..	54	23 June.
Lonsdale Bros. and Co.	Christchurch, N.Z. ..	8, 12	4763, 4	13 June ..	54	23 June.
Lonsdale Bros. and Co.	Christchurch, N.Z. ..	14	4765	13 June ..	62	21 July.
Lonsdale Bros. and Co.	Christchurch, N.Z.	4774	13 June ..	62	21 July.
Makower and Co. Proprietary, Limited, M.	Melbourne, Vic. ..	24, 31	4656, 7	6 April ..	36	28 April.

ALPHABETICAL LIST OF APPLICANTS FOR REGISTRATION OF TRADE MARKS—*continued.*

Name.	Address.	Class.	Application.		Gazette.	
			No.	Date.	No.	Date.
Marshall's Chemical Company, Limited	Dunedin, N.Z.	50	4703	3 May	42	12 May.
Marshall's Chemical Company, Limited	Dunedin, N.Z.	3	4707	4 May	42	12 May.
Mathews and Co., Limited, R.	London, Eng.	43	4770	15 June	54	23 June.
McKie, T.	Melbourne, Vic.	38	4784	23 June	59	7 July.
Meadows, F. N. R.	Wellington, N.Z.	42	4706	4 May	42	12 May.
Meadows, F. N. R.	Wellington, N.Z.	42	4722	16 May
Melotte, J.	Remicourt, Belgium	7	4515	13 Jan.	42	12 May.
Mercer and Mitchell	Dunedin, N.Z.	42	4744	30 May	49	9 June.
Midgley and Sons, Limited, S. T.	Leeds, Eng.	38	4614	18 Mar.	49	9 June.
Miller, T.	Masterton, N.Z.	3	4262	25 June, 1903	49	9 June.
Mitchell, A.	Christchurch, N.Z.	38	4643	5 April	31	14 April.
Morley, I. and R.	London, Eng.	38	4713	6 May	59	7 July.
Morrin, Limited, T. and S.	Auckland, N.Z.	7	4708, 9	6 May
Nathan and Co., Limited, J.	Wellington, N.Z.	5	4692	26 April	42	12 May.
Nathan and Co., Limited, J.	Wellington, N.Z.	50	4704	4 May	42	12 May.
Nathan and Co., Limited, J.	Wellington, N.Z.	42	4726	19 May	45	26 May.
Nathan and Co., Limited, J.	Wellington, N.Z.	42	4775	18 June	54	23 June.
National Cattle Food Company	Melbourne, Vic.	42	4725	19 May	49	9 June.
National Food Company, The	Niagara Falls, U.S.A.	42	4678	21 April	36	28 April.
Neal, M. A., and another	Napier, N.Z.	43	4751-3	6 June	54	23 June.
Neill and Co., Limited	Christchurch, N.Z.	50	4740	25 May	54	23 June.
Neill and Co., Limited	Christchurch, N.Z.	47, 50	4786, 7	23 June	59	7 July.
Nelson, A. M.	Dunedin, N.Z.	50	4701	27 April	42	12 May.
New Home Sewing Machine Company, The	Orange, N.S.W.	6	4696	27 April	42	12 May.
Oates, Lowry, and Company	Christchurch, N.Z.	22	4681	21 April	36	28 April.
Pacific Hardware and Steel Company, The	San Francisco, U.S.A.	6	4640	31 Mar.	42	12 May.
Pacific Hardware and Steel Company, The	San Francisco, U.S.A.	6	4675	19 April	45	26 May.
Paterson and Co., A. S.	Wellington, N.Z.	42	4714-7	10 May	42	12 May.
Paterson and Co., A. S.	Wellington, N.Z.	42	4718	11 May	45	26 May.
Paterson and Co., A. S.	Wellington, N.Z.	42	4719	12 May	45	26 May.
Paterson and Co., A. S.	Wellington, N.Z.	42	4742, 3	26 May	49	9 June.
Paterson and Co., A. S.	Wellington, N.Z.	42	4741	26 May	54	23 June.
Paterson, Mossman, and Co.	Hastings, N.Z.	42	4665	8 April
Patterson, H. H., and another	June, N.S.W.	2	4669	14 April	36	28 April.
Patterson, J. R.	Wellington, N.Z.	42	4794	30 June	62	21 July.
Pearson, Dr.	Christchurch, N.Z.	3	4667	13 April	36	28 April.
Pidgeon and Co., Limited, E. W.	Christchurch, N.Z.	22	4721	16 May	45	26 May.
Pontnewydd Sheet and Galvanising Company, Limited, The	London, England	5	4723	18 May
Portland Cement Fabrik, Hemmoor	Hemmoor, Germany	17	4732	25 May
Preservaline Manufacturing Company, The	New York, U.S.A.	42	4398	1 Oct., 1903	36	28 April.
Price, P. C.	Wanganui, N.Z.	22	4783	22 June	59	7 July.
Reddaway and Co., Limited, F.	Manchester, Eng.	50	4700	28 April	45	26 May.
Ross and Son, W.	Port Ahuriri, N.Z.	50	4747	4 June
Rimmer, S. L. P.	Auckland, N.Z.	42	4727	20 May	49	9 June.
Russell, T.	Auckland, N.Z.	3	4697	28 April	42	12 May.
Sapon, Limited.	London, Eng.	47	4542	27 Jan.	45	26 May.
Sargood, Son, and Ewen	Wellington, N.Z.	38	4673, 4	19 April
Sargood, Son, and Ewen	Dunedin, N.Z.	12	4762	10 June	54	23 June.
Sargood, Son, and Ewen	Wellington, N.Z.	38	4745	2 June
Saunders, Gilbert, and Co.	Napier, N.Z.	47	4779-4782	21 June
Savage, M. W.	Minneapolis, U.S.A.	2	4693, 4	27 April	49	9 June.
Scott and Bowne, Limited	London, Eng.	3	4666	13 April	36	28 April.
Sheldon Drug Company	Sydney, N.S.W.	3	4795-7	30 June
Slater, Rodger, and Co., Limited	Glasgow, North Britain	43	4724	18 May	45	26 May.
Snedden, W.	Dunedin, N.Z.	13	4687	22 April	36	28 April.
Somerville and Co., D. A. (See D. A. Somerville.)	Auckland, N.Z.	42	4788	24 June
South British Packing Company, The. (See A. S. Paterson and Co.)	London, Eng.	25	4757, 8	9 June	54	23 June.
Southwark Manufacturing Company, Limited, The	London, Eng.	25	4757, 8	9 June	54	23 June.
Stevenson, J. R., and another	June, N.S.W.	2	4669	14 April	36	28 April.
Stewart Timber, Glass, and Hardware Company, Limited, The	Wellington, N.Z.	5, 41	4698, 9	28 April	49	9 June.
Sutton's Proprietary, Limited	Melbourne, Vic.	9	4728	20 May	59	7 July.
Teasdale, A.	Auckland, N.Z.	48	4644	5 April	45	26 May.
Teed and Co.	New Plymouth, N.Z.	39	4790	30 June
Tuck and Sons, Limited, R.	London, Eng.	39	4668	14 April	36	28 April.
Turner and Turner	Wellington, N.Z.	42	4199	13 May, 1903	36	28 April.
Union Oil, Soap, and Candle Company, Limited, The	Auckland, N.Z.	47	4761	9 June	59	7 July.
Union Oil, Soap, and Candle Company, Limited, The	Auckland, N.Z.	47	4777	21 June	59	7 July.
United Alkali Company, Limited, The	Liverpool, Eng.	47, 1	4671, 2	14 April

ALPHABETICAL LIST OF APPLICANTS FOR REGISTRATION OF TRADE MARKS—continued.

Name.	Address.	Class.	Application.		Gazette.	
			No.	Date.	No.	Date.
Vacuum Oil Company Proprietary, Limited	Melbourne, Vic., and Wellington, N.Z.	1	4760	9 June ..	54	23 June.
Violet, L. ..	Thuir, France ..	43	4676	20 April ..	36	28 April.
Violet Frères. (See L. Violet.)						
Watts, W. ..	Waiuku West, N.Z. ..	3	4663	7 April ..	36	28 April.
Whiley Bros. (See R. Whiley, jun., and F. Whiley.)						
Whiley, F., and another ..	Ohau, N.Z.	3	4680	21 April
Whiley, F., and another ..	Ohau, N.Z.	4754	7 June ..	62	21 July.
Whiley, jun., R., and another ..	Ohau, N.Z.	4754	7 June ..	62	21 Ju .
Whiley, jun., R. F., and another ..	Ohau, N.Z.	3	4680	21 April
Whitcher, F. W. ..	Boston, U.S.A. ..	40	4768	15 June
Whitcher, F. W. ..	Boston, U.S.A. ..	40	4769	15 June ..	59	7 July.
White Swan Bottling Company, The. (See J. Close and M. A. Neal.)						
White Swan Brewery Company, The. (See J. Close and M. A. Neal.)						
White Swan Brewing Company, The. (See J. Close and M. A. Neal.)						
Whitlock and Sons, F. ..	Aramoho, N.Z. ..	42	4755	7 June ..	49	9 June.
Whittingham, W. ..	Auckland, N.Z. ..	42	4664	8 April ..	31	14 April
Wiles, H. O. ..	Auckland, N.Z. ..	1	4793	30 June
Wilkins and Field Hardware Company, Limited, The	Nelson, N.Z. ..	42	4677	21 April ..	45	26 May.
Williams Company, T. C. ..	Richmond, U.S.A. ..	45	4689	25 April ..	36	28 April.
Williams Company, T. C. ..	Richmond, U.S.A. ..	45	4690	25 April
Williams Company, T. C. ..	Richmond, U.S.A. ..	45	4691	25 April ..	42	12 May.

List of Applicants for Registration of Designs.

A LPHABETICAL list of applicants for registration of designs for quarter ending 30th June, 1904.

Name.	Address.	No of Class.	Application.		Gazette.	
			No.	Date.	No.	Date.
Billing, A. F., and another ..	Auckland, N.Z. ..	5	207	18 May ..	45	26 May.
Broughton, E. ..	Devonport, N.Z. ..	5	206	5 April ..	45	26 May.
Byrne, P. ..	Christchurch, N.Z. ..	3	210	23 June ..	59	7 July.
Collings, C. and A. ..	Auckland, N.Z. ..	1	208	14 June ..	54	23 June.
Collings, C. and A. ..	Auckland, N.Z. ..	1	209	14 June ..	54	23 June.
Collins Bros. and Co., Limited	Auckland, N.Z. ..	5	203	5 Feb. ..	36	28 April.
Hair, J. ..	Oamaru, N.Z. ..	1	204	18 April ..	36	28 April.
Harding, H. T., and another ..	Auckland, N.Z. ..	5	207	18 May ..	45	26 May.
Harding and Billing ..	Auckland, N.Z., and Sydney, N.S.W. ..	5	211	25 June ..	59	7 July.
Harding and Billing. (See H. T. Harding and A. F. Billing.)						
Shacklock, Limited, H. E. ..	Dunedin, N.Z. ..	1	205	29 April ..	42	12 May.

By Authority: JOHN MACKAY, Government Printer, Wellington.

